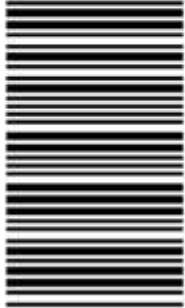


کد کنترل

1333

B



133B

صبح پنجشنبه

۹۷/۲/۶



«اگر دانشگاه اصلاح شود مملکت اصلاح می‌شود.»
امام خمینی (ره)

جمهوری اسلامی ایران
وزارت علوم، تحقیقات و فناوری
سازمان سنجش آموزش کشور

آزمون ورودی دوره‌های کارشناسی ارشد ناپیوسته داخل - سال ۱۳۹۷

مجموعه مهندسی برق - کد (۱۲۵۱)

مدت پاسخگویی: ۲۷۰ دقیقه

تعداد سؤال: ۱۳۸

عنوان مواد امتحانی، تعداد و شماره سؤالات

| ردیف | مواد امتحانی | تعداد سؤال | از شماره | تا شماره |
|------|---|------------|----------|----------|
| ۱ | زبان عمومی و تخصصی (انگلیسی) | ۳۰ | ۱ | ۳۰ |
| ۲ | ریاضیات (معادلات دیفرانسیل، ریاضیات مهندسی، آمار و احتمال) | ۱۵ | ۳۱ | ۴۵ |
| ۳ | مدارهای الکتریکی (۲و۱) | ۱۵ | ۴۶ | ۶۰ |
| ۴ | الکترونیک (۲و۱) و سیستم‌های دیجیتال ۱ | ۱۵ | ۶۱ | ۷۵ |
| ۵ | ماشین‌های الکتریکی (۲و۱) و تحلیل سیستم‌های انرژی الکتریکی ۱ | ۱۵ | ۷۶ | ۹۰ |
| ۶ | سیستم‌های کنترل خطی | ۱۲ | ۹۱ | ۱۰۲ |
| ۷ | سیگنال‌ها و سیستم‌ها | ۱۲ | ۱۰۳ | ۱۱۴ |
| ۸ | الکترومغناطیس* | ۱۲ | ۱۱۵ | ۱۲۶ |
| ۹ | مقدمه‌ای بر مهندسی پزشکی* | ۱۲ | ۱۲۷ | ۱۳۸ |

* برای داوطلبان رشته مهندسی پزشکی، انتخاب یکی از دروس ردیف ۸ یا ۹ به عنوان درس هشتم الزامی است.

استفاده از ماشین حساب مجاز نیست.

این آزمون نمره منفی دارد.

حل چاپ، تکثیر و انتشار سؤالات به هر روش (الکترونیکی و...) پس از برگزاری آزمون، برای تمامی اشخاص حقیقی و حقوقی تنها با مجوز این سازمان مجاز می‌باشد و با متخلفین برابر مقررات رفتار می‌شود.

۱۳۹۷

* داوطلب گرامی، عدم درج مشخصات و امضا در مندرجات جدول ذیل، به منزله عدم حضور شما در جلسه آزمون است.

اینجانب با شماره داوطلبی در جلسه این آزمون شرکت می‌نمایم.

امضا:

زبان عمومی و تخصصی (انگلیسی):

PART A: Vocabulary

Directions: Choose the word or the phrase (1), (2), (3), or (4) that best completes the blank. Then mark the correct choice on your answer sheet.

- 1- Fierce winds and deadly waves were only one ----- many explorers like Christopher Columbus confronted when sailing to unknown lands.
1) suspension 2) obstacle 3) shortage 4) variation
- 2- In urban desert areas potable water supplies are stressed by increasing demands that leave water managers ----- to find new supplies.
1) discouraging 2) refusing 3) invading 4) struggling
- 3- The sense of smell diminishes with advancing age—much more so than the sensitivity to taste. This ----- may result from an accumulated loss of sensory cells in the nose.
1) decrease 2) merit 3) ambiguity 4) defense
- 4- True, all economic activities have environmental consequences. Nevertheless, the goal of shrimp producers should be to reduce the ----- effects on the environment as much as possible.
1) indigenous 2) competitive 3) deleterious 4) imaginary
- 5- Like most successful politicians, she is pertinacious and single-minded in the ----- of her goals.
1) pursuit 2) discipline 3) permanence 4) involvement
- 6- Knowing that everyone would ----- after graduation, she was worried that she would not see her friends anymore.
1) emerge 2) conflict 3) differentiate 4) diverge
- 7- Certain mental functions slow down with age, but the brain ----- in ways that can keep seniors just as sharp as youngsters.
1) composes 2) conveys 3) compensates 4) corrodes
- 8- It is argued by some that hypnosis is an effective intervention for ----- pain from cancer and other chronic conditions.
1) displacing 2) alleviating 3) exploring 4) hiding
- 9- Children who get ----- atmosphere at home for studies perform better than students who are brought up under tense and indifferent family atmosphere.
1) favorable 2) valid 3) obedient 4) traditional
- 10- The post office has promised to resume first class mail ----- to the area on Friday.
1) attention 2) progress 3) expression 4) delivery

PART B: Cloze Passage

Directions: Read the following passage and decide which choice (1), (2), (3), or (4) best fits each space. Then mark the correct choice on your answer sheet.

Colette began painting while she was still in her youth. (11) ----- 1970, she completed her first performance with *Hommage a Delacroix*, (12) ----- was the beginning of an artistic career (13) ----- to the oneness of art and life. (14) -----, actions and performances on streets and public squares, followed by her "living environments" and the "windows", (15) ----- in a selected pose with an elaborate arrangement of fabrics and lace.

- | | | | | |
|-----|--|--|--------------|-------------|
| 11- | 1) Since the year | 2) During a year of | | |
| | 3) For a year of | 4) In the year | | |
| 12- | 1) that it | 2) which | 3) that | 4) it |
| 13- | 1) devoted | 2) was devoted | 3) to devote | 4) devoting |
| 14- | 1) Street works then came | 2) Then came street works | | |
| | 3) There coming then street works with | 4) With street works then to come | | |
| 15- | 1) she remained motionless | 2) that in there she remained motionless | | |
| | 3) in which she remained motionless | 4) that in it motionless she remained | | |

PART C: Reading Comprehension:

Directions: Read the following three passages and answer the questions by choosing the best choice (1), (2), (3), or (4). Then mark the correct choice on your answer sheet.

PASSAGE 1:

There are a number of different electronic devices which tend to be called diodes. Although made differently, they all have three things in common: they have two leads like a resistor; the current they pass depends upon the voltage between the leads; and they do not obey Ohm's law.

A pn-junction is created by joining together two pieces of semiconductor, one doped n-type, the other p-type. This causes a depletion zone to form around the junction between the two materials. This zone controls the behavior of the diode. When we apply a potential difference between the two wires in one direction, we tend to pull the free electrons and holes away from the junction. This makes it even harder for them to cross the depletion zone. When we apply the voltage the other way around, we push electrons and holes towards the junction, helping to give them extra energy and giving them a chance to cross the junction.

Although diodes can be made by 'bringing together' two pieces of semiconductor, one n-type and the other p-type, real diodes are normally made by taking a single piece of pure material and doping two adjacent regions differently. This means that we do not actually have to 'glue together' two bits of silicon. However, some other forms of diode are created by depositing one material onto another, e.g. Schottky diodes are made by placing some metal in contact with a semiconductor. In general, whenever we join two different, very pure materials, we are likely to make some sort of diode.

Ordinary diodes can be split into two types: signal diodes which pass small currents of 100mA or less and rectifier diodes which can pass large currents. In addition, there are LEDs and Zener diodes.

Signal diodes are used to process information (electrical signals) in circuits, so they are only required to pass small currents of up to 100mA. General purpose signal diodes are made from silicon and have a forward voltage drop of 0.7V. Germanium diodes have a lower forward voltage drop of 0.2V and this makes them suitable to use in radio circuits as detectors which extract the audio signal from the weak radio signal. For general use, where the size of the forward voltage drop is less important, silicon diodes are better because they are less easily damaged by heat when soldering, they have a lower resistance when conducting, and they have very low leakage currents when a reverse voltage is applied.

- 16- **It may be understood from paragraph 1 that -----.**
- 1) all diodes are constructed in the same way and are of identical structure
 - 2) all diodes are similar in structure and operation
 - 3) diodes are Ohmic devices
 - 4) diodes are identified as such for their shared properties
- 17- **Paragraph 3 mainly talks about -----.**
- 1) doping to make n-type semiconductors
 - 2) properties of the pieces joined in a diode and the currents they pass
 - 3) alternative ways of making diodes and types of diodes
 - 4) the two types of signal and rectifier diodes
- 18- **According to paragraph 4, silicon diodes seem preferable to germanium ones when -----.**
- 1) they are used as detectors to extract audio signals from weak radio signals
 - 2) a lower forward voltage drop is required
 - 3) a higher resistance is required when conducting
 - 4) a reverse voltage is applied
- 19- **The major differences between germanium and silicon diodes lies in -----.**
- 1) their ease of construction
 - 2) the fact that the former is made of a doped material but the other is of a pure one
 - 3) their heat generation during soldering and the need for being coupled with a resistor
 - 4) their forward voltage drops which makes them suitable for different applications
- 20- **According to paragraph 2, -----.**
- 1) even when properly energized, electrons and holes fail to cross the depletion zone
 - 2) whether the electrons and holes cross the junction depends on the direction of the current applied
 - 3) it is never possible for electrons or holes to pass over the depletion zone
 - 4) the junction in a diode is the location where electrons and holes meet

PASSAGE 2:

Relays are generally used to switch smaller currents in a control circuit and do not usually control power consuming devices except for small motors and Solenoids that draw low amps. Nonetheless, relays can "control" larger voltages and amperes by having an amplifying effect because a small voltage applied to a relay's coil can result in a large voltage being switched by the contacts.

Protective relays can prevent equipment damage by detecting electrical abnormalities, including overcurrent, undercurrent, overloads, and reverse currents. In addition, relays are also widely used to switch starting coils, heating elements, pilot lights, and audible alarms.

In electromechanical relays (EMR), contacts are opened or closed by a magnetic force. With solid-state relays (SSR), there are no contacts and switching is totally electronic. The decision to use electromechanical or solid state relays depends on an application's electrical requirements, cost constraints, and life expectancy. Although solid-state relays have become very popular, electromechanical relays remain common. Many of the functions performed by heavy-duty equipment need the switching capabilities of electromechanical relays. SSRs switch the current using non-moving electronic devices such as silicon controlled rectifiers.

These differences in the two types of relays result in advantages and disadvantages with each system. Because solid state relays do not have to either energize a coil or open contacts, less voltage is required to "turn" Solid State Relays on or off. Similarly, SSRs turn on and off faster because there are no physical parts to move. Although the absence of contacts and moving parts means that Solid State Relays are not subject to arcing and do not wear out, contacts on electromechanical relays can be replaced, whereas entire solid state relays must be replaced when any part becomes defective. Because of the construction of SSRs, there is residual electrical resistance and/or current leakage whether switches are open or closed. The small voltage drops that are created are not usually a problem; however, electromechanical relays provide a cleaner ON or OFF condition because of the relatively large distance between contacts, which acts as a form of insulation.

- 21- Paragraphs 1 and 2 are similar in that they -----.
- 1) describe how relays prevent damage to equipment
 - 2) introduce different types and uses of relays
 - 3) introduce possible novel applications of relays
 - 4) explain why relays are used to prevent equipment damage
- 22- Paragraph 3 mentions all the following criteria for selecting electromechanical and electronic relays EXCEPT -----.
- 1) cost constraints and life expectancy
 - 2) electrical requirements of the application
 - 3) type of contact housing available
 - 4) the type of equipment to be served by the relay
- 23- The underlined 'which' in the last paragraph refers to -----.
- 1) contacts
 - 2) distance
 - 3) ON or OFF condition
 - 4) electromechanical relays
- 24- Paragraph 4 -----.
- 1) describes EMRs and SSRs
 - 2) explains how relays are employed to handle voltage variations
 - 3) gives reasons why EMRs are superior to SSRs
 - 4) juxtaposes SSRs' and EMRs' benefits and drawbacks

- 25- Among the advantages of the EMRs over SSRs, one can refer to the -----.
- 1) lower voltage required to turn them on or off
 - 2) cheaper cost of replacing worn out parts
 - 3) faster speed of switching them on and off
 - 4) insulation materials used in them

PASSAGE 3:

A clocked sequential circuit consists of a group of flip-flops and combinational gates. Combinational logic gates react to the values of the signals at their inputs and produce the value of the output signal, transforming binary information from the given input data to a required output data. The flip-flops (basic digital devices capable of storing one bit of information: 1 or 0) are essential because, in their absence, the circuit reduces to a purely combinational circuit (provided that there is no feedback among the gates). A circuit with flip-flops is considered a sequential circuit even in the absence of combinational gates. Circuits that include flip-flops are usually classified by the function they perform rather than by the name of the sequential circuit. Two such circuits are registers and counters.

A register is a group of flip-flops, each one of which shares a common clock and is capable of storing one bit of information. An n -bit register consists of a group of n flip-flops capable of storing n bits of binary information. In addition to the flip-flops, a register may have combinational gates that perform certain data-processing tasks. In its broadest definition, a register consists of a group of flip-flops together with gates that affect their operation. The flip-flops hold the binary information, and the gates determine how the information is transferred into the register.

- 26- How does a circuit with combinational gates remain a sequential one?
- 1) If flip-flops store more than one bit of information.
 - 2) If combinational gates fail to transform input data to output ones.
 - 3) Only if flip-flops are present in the circuit.
 - 4) When gates exchange no feedback.
- 27- According to paragraph 1, ----- are indeed information storing devices.
- 1) combinational circuits
 - 2) flip-flops
 - 3) circuits
 - 4) gates
- 28- It is true that -----.
- 1) registers and counters are not functionally different
 - 2) registers are circuits that never contain gates
 - 3) registers are combinational gates in sequential circuits
 - 4) counters are sequential circuits thus named based on their functions
- 29- The underlined 'their' in paragraph 2 refers to -----.
- 1) flip-flops
 - 2) registers
 - 3) groups
 - 4) gates
- 30- It is stated in paragraph 2 that the flip-flops in a register -----.
- 1) are governed by clocks that store binary information
 - 2) are individually connected to clocks
 - 3) all operate with a shared clock
 - 4) share their clocks with gates

ریاضیات (معادلات دیفرانسیل، ریاضیات مهندسی، آمار و احتمال):

۳۱- عامل انتگرال ساز (فاکتور انتگرال) به صورت $x^\alpha y^\beta$ برای معادله دیفرانسیل $x^2 y^3 + x(1+y^2)y' = 0$ ، کدام است؟

(۱) $x^{-1}y^{-3}$

(۲) $x^{-1}y^3$

(۳) xy^{-3}

(۴) xy^3

۳۲- جواب معادله دیفرانسیل $(x \tan \frac{y}{x} - y \sec^2 \frac{y}{x})dx + x \sec^2 \frac{y}{x} dy = 0$ ، کدام است؟ $(\sec x = \frac{1}{\cos x})$

(۱) $x + \tan \frac{y}{x} = C$

(۲) $x^2 \tan \frac{y}{x} = C$

(۳) $x \tan \frac{y}{x} = C$

(۴) $x^2 + \tan \frac{y}{x} = C$

۳۳- اگر جواب عمومی معادله دیفرانسیل $x^2 y'' - 3xy' + 4y = x^2 \ln x$ ، $x > 0$ ، را با روش تغییر پارامترها به صورت

$y(x) = u_1(x)y_1(x) + u_2(x)y_2(x)$ نمایش دهیم، که در آن $y_1(x) = x^r$ و $y_2(x) = x^r \ln x$ دو جواب

مستقل معادله دیفرانسیل همگن متناظر هستند، آنگاه مقادیر $u_1'(x)$ و $u_2'(x)$ کدام اند؟

(۱) $u_1' = \frac{1}{x}(\ln x)^2$ ، $u_2' = -\frac{1}{x} \ln x$

(۲) $u_1' = \frac{1}{x}(\ln x)^2$ ، $u_2' = \frac{1}{x} \ln x$

(۳) $u_1' = -\frac{1}{x}(\ln x)^2$ ، $u_2' = \frac{1}{x} \ln x$

(۴) $u_1' = \frac{-1}{x}(\ln x)^2$ ، $u_2' = \frac{-1}{x} \ln x$

۳۴- جواب مسئله مقدار اولیه $y^{(4)} - y = 0$ ، $y(0) = 0$ ، $y'(0) = 1$ ، $y''(0) = 0$ و $y'''(0) = 0$ ، کدام است؟

(۱) $y(t) = \frac{1}{4}(\cosh t + \sin t)$

(۲) $y(t) = \frac{1}{4}(-\sinh t + \sin t)$

(۳) $y(t) = \frac{1}{4}(\sinh t - \sin t)$

(۴) $y(t) = \frac{1}{4}(\sinh t + \sin t)$

۳۵- تبدیل لاپلاس تابع $f(t) = u_{\frac{\pi}{2}}(3t - \frac{3\pi}{2})e^t \cos t$ ، کدام است؟

$$\frac{e^{\frac{\pi}{2}(s-1)}}{(s^2+1)^2} \quad (1)$$

$$\frac{-e^{\frac{\pi}{2}(s-1)}}{(s-1)^2+1} \quad (2)$$

$$\frac{-e^{\frac{\pi}{2}(s+1)}}{(s+1)^2+1} \quad (3)$$

$$\frac{e^{\frac{\pi}{2}(s+1)}}{(s^2+1)^2} \quad (4)$$

۳۶- اگر مانده تابع $f(z) = (2z^2 + \alpha z - 1)e^{z+1}$ در نقطه تکین برابر $\frac{1}{6}$ باشد، آنگاه α کدام است؟

$$\frac{-5}{3} \quad (1)$$

$$0 \quad (2)$$

$$1 \quad (3)$$

$$\frac{5}{3} \quad (4)$$

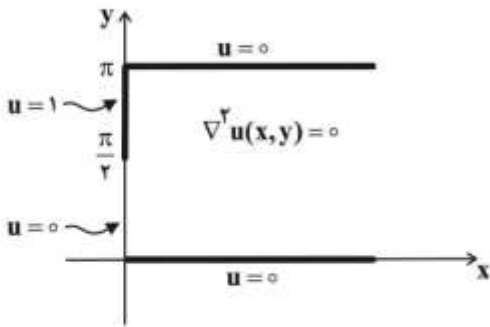
۳۷- کلیه نقاط $z = x + iy$ در صفحه مختلط که به ازای آنها $\operatorname{Re}\left(\frac{z-i}{z+i}\right) < 1$ و $\operatorname{Im}\left(\frac{z-i}{z+i}\right) > a$ ، $(a > 0)$ ثابت، کدام است؟

(۱) نقاط Z نیمه پایینی بیرون دایره به مرکز (-1) و $(-\frac{1}{a})$ و به شعاع $\frac{1}{a}$

(۲) نقاط Z نیمه بالایی بیرون دایره به مرکز (-1) و $(-\frac{1}{a})$ و به شعاع $\frac{1}{a}$

(۳) نقاط Z نیمه پایینی دایره به مرکز (-1) و $(-\frac{1}{a})$ و به شعاع $\frac{1}{a}$

(۴) نقاط Z نیمه بالایی دایره به مرکز (-1) و $(-\frac{1}{a})$ و به شعاع $\frac{1}{a}$



۳۸- در شکل روبه‌رو با شرایط مرزی داده شده، پاسخ کراندار $u(x,y)$ معادله لاپلاس، در فضای نیمه‌نوار افقی نامتناهی کدام است؟

$$\frac{2}{\pi}(e^{-x} \sin y - e^{-2x} \sin 2y + \frac{1}{3}e^{-3x} \sin 3y + \dots) \quad (۱)$$

$$\frac{2}{\pi}(e^{-x} \sin y - e^{-2x} \sin 2y - \frac{1}{3}e^{-3x} \sin 3y + \dots) \quad (۲)$$

$$\frac{2}{\pi}(e^{-x} \sin y + \frac{1}{2}e^{-2x} \sin 2y + \frac{1}{3}e^{-3x} \sin 3y + \dots) \quad (۳)$$

$$\frac{2}{\pi}(e^{-x} \sin y - \frac{1}{2}e^{-2x} \sin 2y + \frac{1}{3}e^{-3x} \sin 3y - \dots) \quad (۴)$$

۳۹- فرض کنید $z = x + iy$ و $w = u + iv$ متغیرهای مختلط باشند. در این صورت تصویر دایره $|z|=2$ تحت نگاشت

$$w = z + \frac{1}{z} \quad \text{کدام است؟}$$

$$v=0, -1 \leq u \leq 1 \quad (۱)$$

$$\frac{u^2}{100} + \frac{v^2}{64} = \frac{1}{9} \quad (۲)$$

$$\frac{u^2}{25} + \frac{v^2}{9} = \frac{1}{4} \quad (۳)$$

$$v=0, -2 \leq u \leq 2 \quad (۴)$$

۴۰- سری فوریه کسینوسی نیم‌دامنه تابع $f(x) = \sin(\alpha x)$ ($0 < \alpha < 1$ ، ثابت)، $0 \leq x \leq \pi$ ، کدام است؟

$$\frac{1 - \cos(\alpha\pi)}{\alpha\pi} - \frac{2\alpha \cos(\alpha\pi)}{\pi} \sum_{n=1}^{\infty} \frac{(-1)^n \cos(nx)}{n^2 - \alpha^2} \quad (۱)$$

$$\frac{1 - \cos(\alpha\pi)}{\alpha\pi} + \frac{2\alpha \cos(\alpha\pi)}{\pi} \sum_{n=1}^{\infty} \frac{(-1)^n \cos(nx)}{n^2 - \alpha^2} \quad (۲)$$

$$\frac{1 - \cos(\alpha\pi)}{\alpha\pi} - \frac{2\alpha \cos(\alpha\pi)}{\pi} \sum_{n=1}^{\infty} \frac{\cos(nx)}{n^2 - \alpha^2} \quad (۳)$$

$$\frac{1 - \cos(\alpha\pi)}{\alpha\pi} + \frac{2\alpha \cos(\alpha\pi)}{\pi} \sum_{n=1}^{\infty} \frac{\cos(nx)}{n^2 - \alpha^2} \quad (۴)$$

۴۱- ظرفی حاوی ۲۰ توپ مشابه با شماره‌های ۱ تا ۲۰ است. سه بار به صورت تصادفی و بدون جایگذاری مجدد و هر بار یک توپ از ظرف خارج می‌کنیم. احتمال اینکه شماره توپ دوم از شماره توپ‌های اول و سوم بزرگتر باشد، چقدر است؟

(۱) $\frac{1}{24}$

(۲) $\frac{1}{12}$

(۳) $\frac{1}{3}$

(۴) $\frac{1}{6}$

۴۲- فرض کنید X یک متغیر تصادفی با تابع چگالی احتمال $f_X(x) = \begin{cases} 3x^2 & 0 \leq x \leq 1 \\ 0 & \text{در غیر این صورت} \end{cases}$ باشد. اگر $g(x) = ax^b$

باشد، به ازای چه مقادیر از a و b متغیر تصادفی $y = g(x)$ دارای توزیع یکنواخت در بازه $[0, 2]$ خواهد بود؟

(۱) $a = 2, b = 3$

(۲) $a = 2, b = \frac{1}{3}$

(۳) $a = \frac{1}{2}, b = 3$

(۴) $a = \frac{1}{2}, b = \frac{1}{3}$

۴۳- فرض کنید تابع چگالی متغیر تصادفی Y به صورت $f_Y(y) = \frac{1}{\sqrt{2\pi}} e^{-\frac{(y-1)^2}{2}}$ و چگالی متغیر تصادفی X

به صورت $f_X(x) = \begin{cases} \lambda e^{-\lambda x} & x \geq 0 \\ 0 & \text{سایر} \end{cases}$ باشد. اگر بدانیم که $E\{X|Y=y\} = y + \frac{1}{\lambda}$ (میانگین شرطی X به شرط

Y) است: در این صورت مقدار λ کدام است؟

(۱) $\frac{1}{2}$

(۲) $\frac{2}{3}$

(۳) ۲

(۴) $\frac{3}{2}$

۴۴- تابع چگالی احتمال مشترک دو متغیر تصادفی X و Y به صورت $f_{XY}(x,y) = Ae^{-x^2 - |y|}$ است که در آن A یک مقدار ثابت مثبت می باشد. واریانس متغیر تصادفی $Z = 2X - Y$ ، کدام است؟

- (۱) ۲
- (۲) ۴
- (۳) ۶
- (۴) ۸

۴۵- تابع چگالی احتمال مشترک دو متغیر تصادفی X و Y به صورت زیر است:

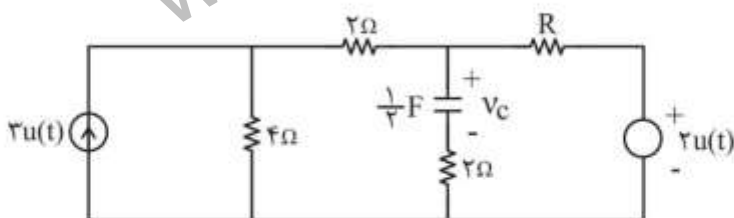
$$f_{XY}(x,y) = \begin{cases} \frac{4}{3\pi} & x^2 + y^2 \leq 1, x \geq 0 \\ \frac{2}{3\pi} & x^2 + y^2 \leq 1, x < 0 \end{cases}$$

احتمال $P[X > Y]$ ، برابر کدام است؟

- (۱) $\frac{1}{3}$
- (۲) $\frac{2}{3}$
- (۳) $\frac{5}{12}$
- (۴) $\frac{7}{12}$

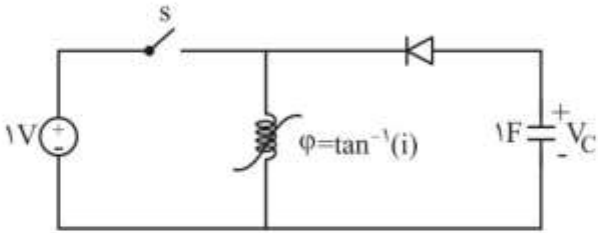
مدارهای الکتریکی (۲۰):

۴۶- مدار زیر با ولتاژ اولیه $v_c(0^-) = 4V$ خازن شروع به کار می کند. به ازای کدام مقدار از R ، انرژی خازن ثابت می ماند؟



- (۱) $\frac{3}{4}$
- (۲) $\frac{2}{2}$
- (۳) $\frac{2}{2}$
- (۴) $\frac{4}{2}$

۴۷- در مدار زیر کلید S در $t = 0$ بسته و در $t = \frac{\pi}{4}$ [s] باز می‌شود. ولتاژ نهایی خازن چند ولت خواهد بود؟ (همه عناصر ایدئال هستند).



عناصر ایدئال هستند.

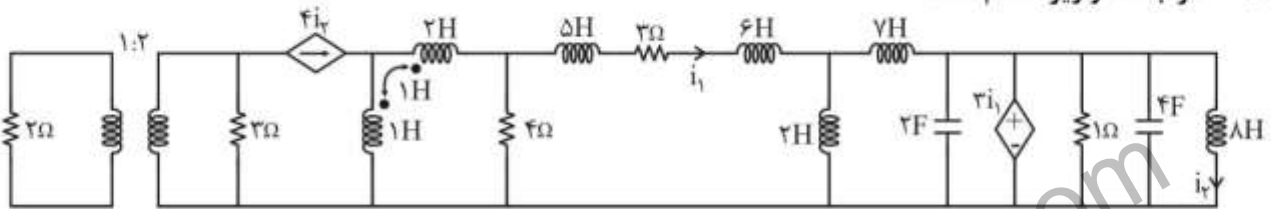
$-\sqrt{\frac{1}{2}} \text{Ln}(2)$ (۱)

$-\text{Ln}(2)$ (۲)

$-\sqrt{\text{Ln}(2)}$ (۳)

$-\frac{1}{2} \text{Ln}(2)$ (۴)

۴۸- مرتبه مدار زیر، کدام است؟



۴ (۱)

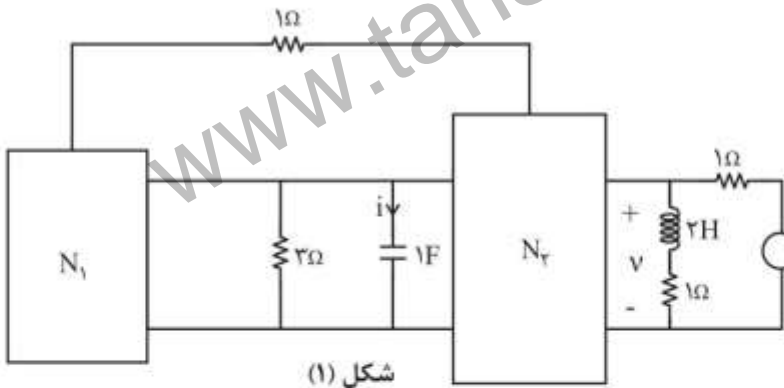
۳ (۲)

۵ (۳)

۶ (۴)

۴۹- در مدار زیر N_1 و N_2 از المان‌های خطی و نامتغیر با زمان و یا ترانسفورمرهای ایدئال تشکیل شده و جریان حالت صفر $i(t)$ در شکل (۱) برابر $(2e^{-t} - e^{-2t})u(t)$ است. در مدار شکل (۲) ولتاژ حالت صفر V برابر

کدام است؟



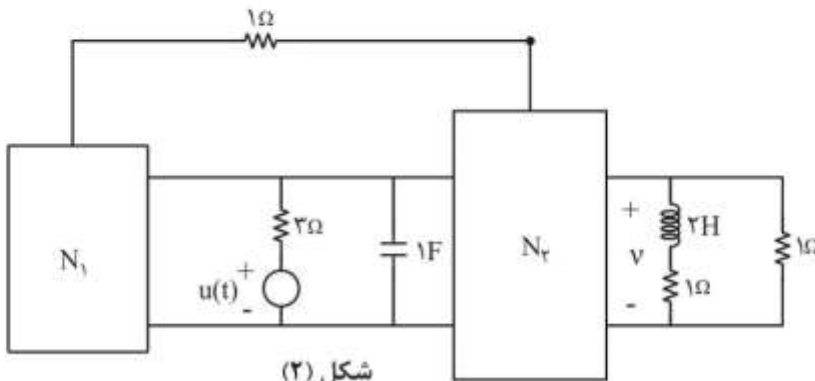
شکل (۱)

$[\frac{1}{2} - \frac{2}{3}e^{-t} + \frac{1}{6}e^{-2t}]u(t)$ (۱)

$(\frac{1}{2} - \frac{2}{3}e^{-t} + \frac{1}{6}e^{-2t})u(t)$ (۲)

$(-\frac{2}{3}e^{-t} + \frac{1}{6}e^{-2t})u(t)$ (۳)

$(2e^{-t} - e^{-2t})u(t)$ (۴)



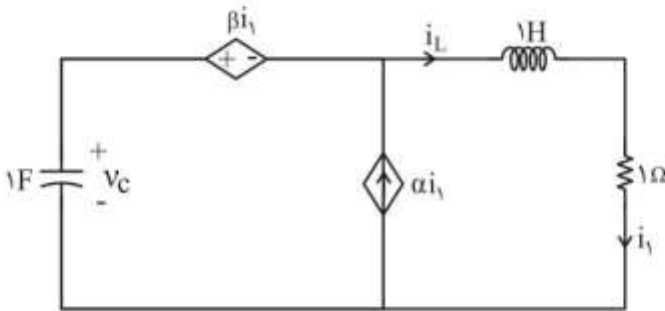
شکل (۲)

۵۰- در شبکه خطی زیر، به ازای $v_{in}(t) = (e^{-t} + e^{-2t})u(t)$ و یک دسته شرایط اولیه معین، داریم $v_o(t) = [2e^{-t} + 2e^{-2t} + 2e^{-3t} + e^{-4t}]u(t)$. اگر شرایط اولیه دو برابر شوند و منبع $v_{in}(t)$ ثابت باشد، آنگاه $v_o(t) = [3e^{-t} + 2e^{-2t} + 2e^{-3t} + 2e^{-4t}]u(t)$. کدام گزینه ممکن است فرکانس طبیعی مدار نباشد؟



- (۱) $s = -4$
- (۲) $s = -3$
- (۳) $s = -2$
- (۴) $s = -1$

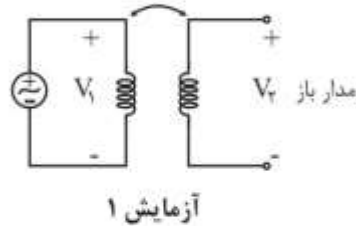
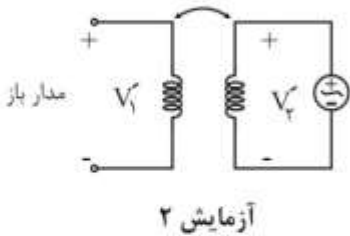
۵۱- در مدار زیر، کدام گزینه صحیح نیست؟



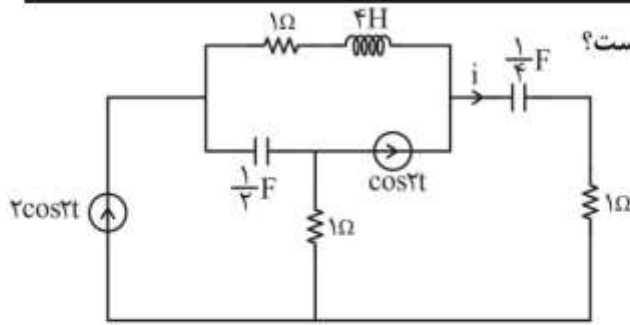
$v_C(0^-) = 2, i_L(0^-) = 0$

- (۱) با انتخاب $\beta = -1 - 2\sqrt{\alpha - 1}$ پاسخ میراثی شدید است.
- (۲) با انتخاب $\beta = -1 + 2\sqrt{\alpha - 1}$ پاسخ میراثی بحرانی است.
- (۳) با انتخاب $\beta = -1$ و $\alpha = \frac{5}{4}$ پاسخ نوسانی است.
- (۴) با انتخاب $\beta = -1$ و $\alpha = 10$ پاسخ نوسانی است.

۵۲- یک جفت سلف تزویجی در اختیار داریم، برای اندازه‌گیری ضریب تزویج k دو آزمایش زیر را انجام داده‌ایم. رابطه k با ولتاژهای اندازه‌گیری شده، کدام است؟ (مقادیر اندوکتانس سلف‌ها مجهول است) (مدارها در حالت دائمی سینوسی با فرکانس یکسان ω هستند)



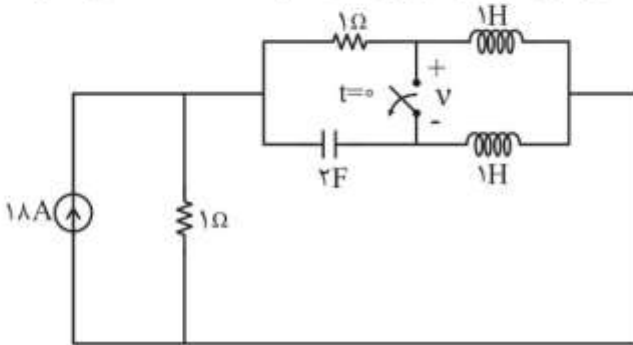
- (۱) $k = \left| \frac{V_2}{V_1} \right| \times \left| \frac{V'_1}{V'_2} \right|$
- (۲) $k = \sqrt{\left| \frac{V_2}{V_1} \right| \times \left| \frac{V'_1}{V'_2} \right|}$
- (۳) $k = \left(\left| \frac{V_2}{V_1} \right| \times \left| \frac{V'_1}{V'_2} \right| \right)^2$
- (۴) $k = \left| \frac{V_2}{V_1} \right| \times \left| \frac{V'_2}{V'_1} \right|$



۵۳- در مدار زیر، جریان i در حالت دائمی سینوسی، کدام است؟

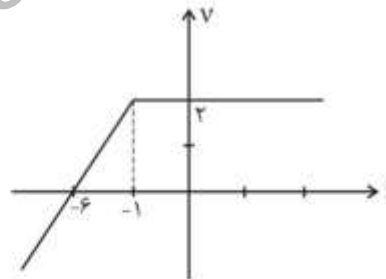
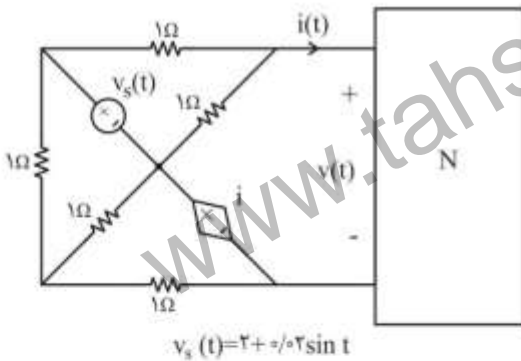
- (۱) $5 \sin(2t + 53^\circ)$
- (۲) $5 \sin 2t$
- (۳) $5 \cos 2t$
- (۴) $\cos 2t$

۵۴- در مدار زیر، کلید پس از مدت‌ها بسته بودن در $t = 0$ باز می‌شود. ولتاژ روی کلید در لحظه $t = 0^+$ چند ولت است؟



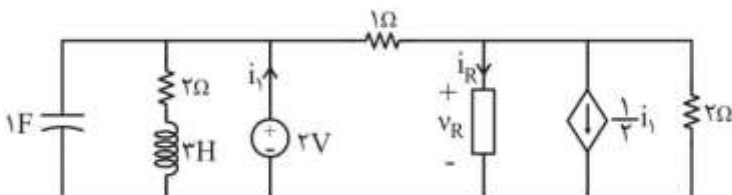
- (۱) ۱
- (۲) ۴/۵
- (۳) ۲/۵
- (۴) ۹

۵۵- با توجه به مشخصه $v-i$ داده شده برای یک قطبی مقاومتی N ، مقدار $i(t)$ در مدار زیر کدام است؟



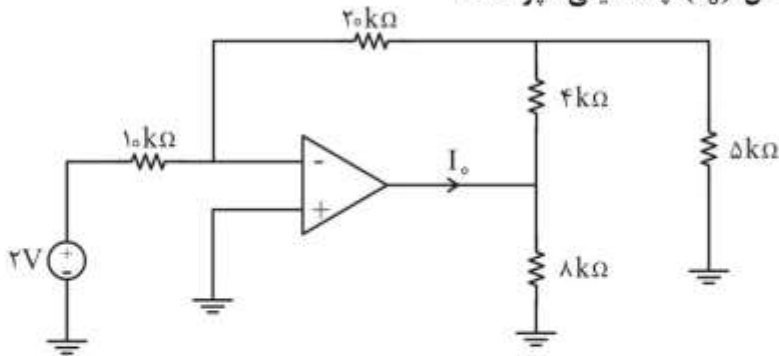
- (۱) $2 - 0.5 \sin t$
- (۲) $1 - 0.5 \sin t$
- (۳) -2
- (۴) 2

۵۶- در مدار زیر، جریان مقاومت غیرخطی $v_R = -\frac{1}{4} i_R^2$ ، چند آمپر است؟



- (۱) ۱/۴
- (۲) ۱/۲
- (۳) ۱
- (۴) ۲

۵۷- در مدار زیر، جریان خروجی آب امپ ایدئال (I_o) چند میلی آمپر است؟



- (۱) -۵
- (۲) -۲
- (۳) ۲
- (۴) ۵

۵۸- اگر پاسخ حالت صفر یک مدار خطی تغییرناپذیر با زمان به ورودی $te^{-t}u(t)$ ، به صورت $(e^{-t} - e^{-2t})u(t)$ باشد، پاسخ ضربه این مدار کدام است؟

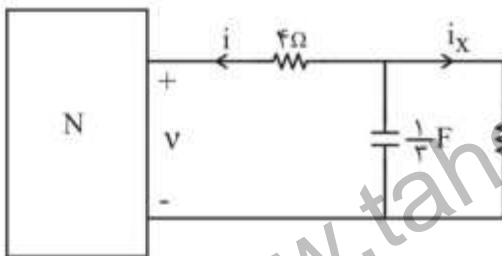
(۱) $h(t) = -e^{-2t}u(t)$

(۲) $h(t) = -e^{-2t}u(t) + \delta'(t)$

(۳) $h(t) = 2e^{-2t}u(t) - \delta(t)$

(۴) $h(t) = -e^{-2t}u(t) + \delta(t)$

۵۹- مشخصه ولتاژ-جریان شبکه N زیر به صورت $V(t) = 2i + \begin{cases} 2 & t \geq 0 \\ 4 & t < 0 \end{cases}$ است. جریان $i_x(t)$ در مدار کدام است؟



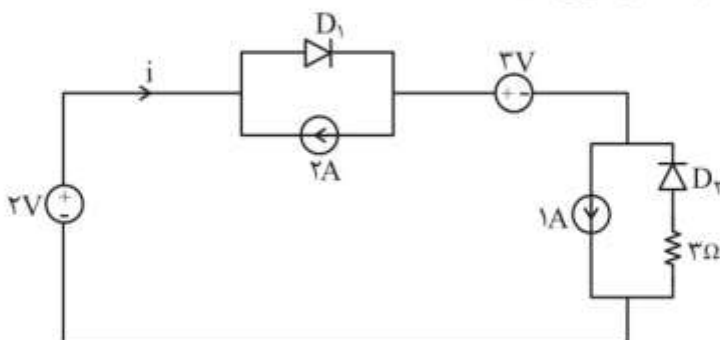
(۱) $\frac{1}{6} + \frac{1}{6}e^{-\frac{t}{6}}$

(۲) $-\frac{1}{6} + \frac{1}{6}e^{-t}$

(۳) $-\frac{1}{6} + \frac{1}{6}e^{-\frac{t}{6}}$

(۴) $\frac{1}{6} + \frac{1}{6}e^{-t}$

۶۰- در مدار زیر، جریان i چند آمپر است؟ (دیودها را ایدئال فرض کنید)



- (۱) -۲
- (۲) -۱
- (۳) $\frac{2}{3}$
- (۴) ۱

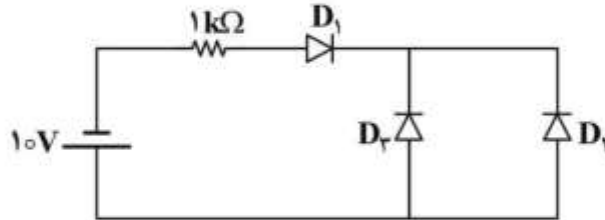
الکترونیک (۳و۱) و سیستم‌های دیجیتال ۱:

۶۱- در مدار زیر، اندازه جریان دیود D_3 بر حسب آمپر، به کدام گزینه نزدیک‌تر است؟

$$I_{S_1} = 10^{-15} \text{ A}$$

$$I_{S_2} = 3I_{S_1} = 10^{-16} \text{ A}$$

$$I_D = I_S (e^{\frac{V_D}{nV_T}} - 1)$$



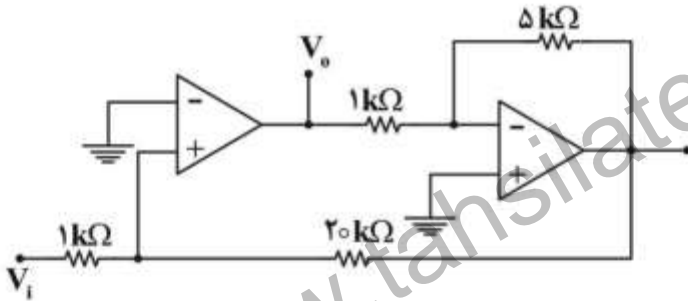
(۱) 10^{-3}

(۲) 2.5×10^{-3}

(۳) 10^{-16}

(۴) 2.5×10^{-16}

۶۲- در مدار زیر، اندازه بهره $\frac{V_o}{V_i}$ ، به کدام گزینه نزدیک‌تر است؟

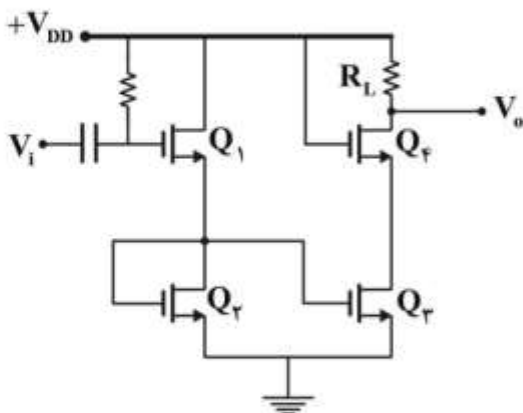


(۲) ۵

(۱) ۴

(۴) ۲۱

(۳) ۲۰



۶۳- در مدار روبه‌رو، هر چهار ترانزیستور در ناحیه اشباع

بوده و از نظر مشخصات کاملاً مشابه‌اند. اگر هدایت

انتقالی Q_1 در نقطه کار برابر g_m باشد، اندازه بهره

ولتاژ سیگنال کوچک $\frac{V_o}{V_i}$ ، چه مقداری است؟

($\lambda = 0$)

(۴) $2g_m R_L$

(۳) $\frac{3}{2}g_m R_L$

(۲) $\frac{1}{2}g_m R_L$

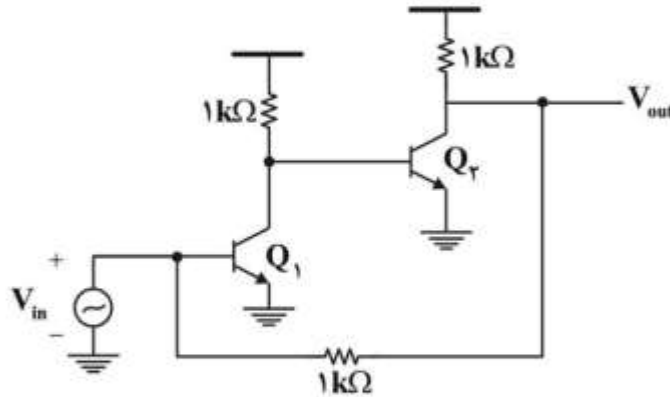
(۱) $g_m R_L$

۶۴- در مدار تقویت کننده زیر، تمامی ترانزیستورها در ناحیه فعال بایاس شده‌اند (مدار معادل ac رسم شده است).

بهره ولتاژ $A_v = \frac{V_{out}}{V_{in}}$ ، به کدام گزینه نزدیک تر است؟

$\beta = 40$

$g_{m1} = g_{m2} = 40 \text{ mA/V}$



۱۶۰۰ (۴)

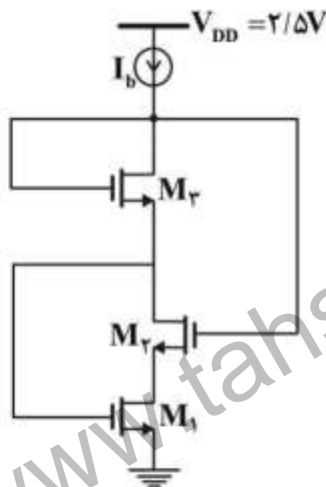
۸۰۰ (۳)

۴۰۰ (۲)

۲۰۰ (۱)

۶۵- در مدار زیر، ترانزیستورهای M_1 و M_2 یکسان هستند. مقدار (W/L) ترانزیستور M_2 چقدر بایستی باشد تا

همه ترانزیستورها در ناحیه اشباع بایاس شوند؟



$V_{TH1,2} = 0.5V$

$V_{TH2} = 0.4V$

$\lambda = \gamma = 0$

$M_{1,2}: V_{GS} - V_{TH} = 0.5V$

$\mu_n C_{ox} = 400 \frac{\mu A}{V^2}$

$I_b = 0.5mA$

۵۰۰ (۴)

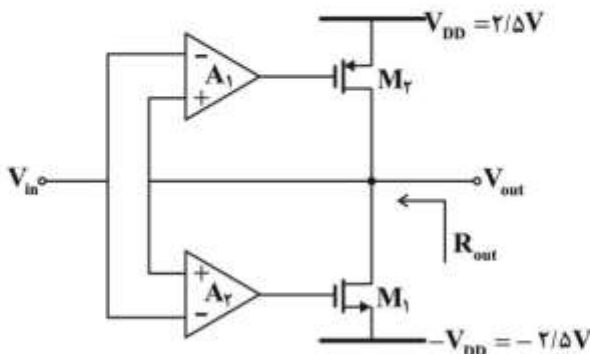
۲۵۰ (۳)

۲۰ (۲)

۱۰ (۱)

۶۶- در مدار تقویت کننده زیر، ولتاژ DC خروجی تقویت کننده‌های عملیاتی A_1 و A_2 به ترتیب برابر با $1/8$ ولت و

$1/8$ - ولت است. مقدار مقاومت خروجی R_{out} ، چند اهم است؟



$|V_{TH}| = 0.5V$

$\lambda = 0.1V^{-1}$

$\mu_n C_{ox} (W/L)_1 = 25 \text{ mA/V}^2$

$\mu_p C_{ox} (W/L)_2 = 25 \text{ mA/V}^2$

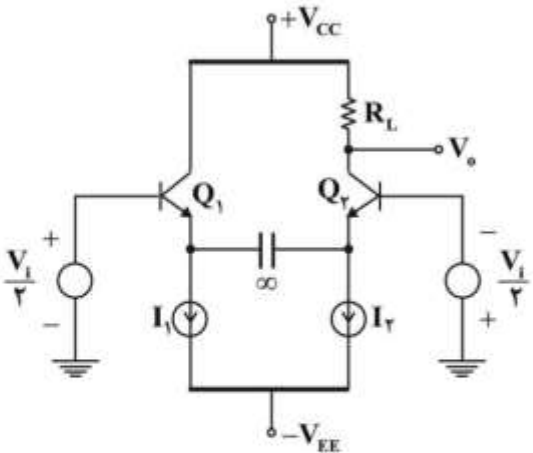
$A_{1,2} = 10$

۲۰۰ (۴)

۱۰۰ (۳)

۲۰ (۲)

۱۰ (۱)



۶۷- در تقویت‌کننده تفاضلی روبه‌رو، Q_1 و Q_2 کاملاً مشابه هستند و به ازای $I_1 = I_2 = 1\text{mA}$ بهره ولتاژ سیگنال کوچک $\frac{V_o}{V_i} = 60$ است. اگر فقط مقدار جریان منبع I_2 افزایش یافته و $I_2 = 2\text{mA}$ شود، بهره ولتاژ به چه مقداری خواهد رسید؟

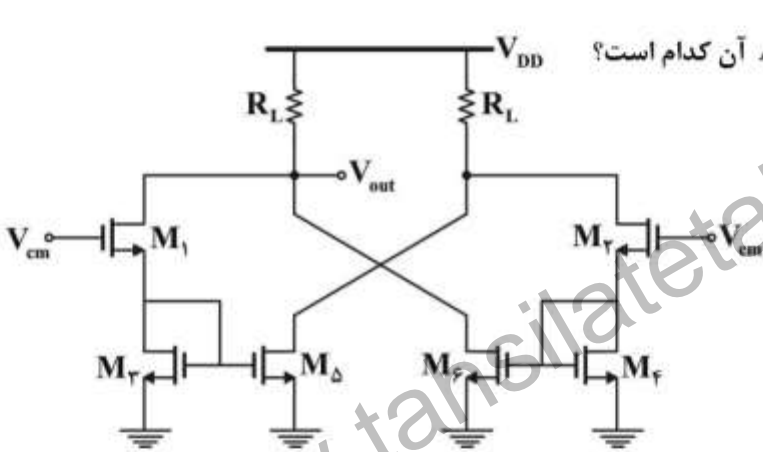
۱۶۰ (۴)

۸۰ (۳)

۶۰ (۲)

۴۰ (۱)

۶۸- در مدار تقویت‌کننده زیر، همه ترانزیستورهای متناظر با هم یکسان بوده و در ناحیه اشباع بایاس شده‌اند. مقدار



بهره ولتاژ مد مشترک $A_{cm} = \frac{V_{out}}{V_{cm}}$ آن کدام است؟

$$\lambda = 0, g_{mb} = 0$$

$$g_m = 10\text{ mA/V}$$

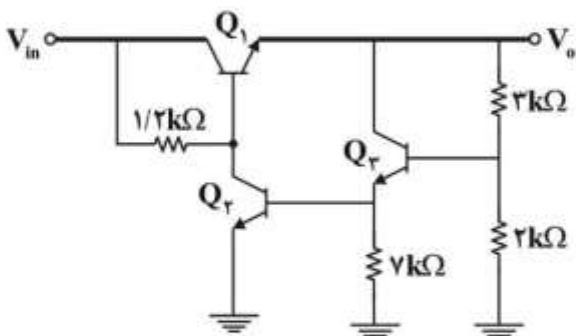
$$R_L = 2\text{ k}\Omega$$

۲۵ (۴)

۲۰ (۳)

۱۵ (۲)

۱۰ (۱)



۶۹- در رگولاتور ولتاژ روبه‌رو، ولتاژ ورودی بین ۹ تا ۱۵ ولت متغیر است. اگر $\beta = 100$ و $V_{BE(on)} = 0.7\text{V}$ باشد، حداکثر جریان قابل قبول برای بار $(I_{L,max})$ ، چند آمپر است؟

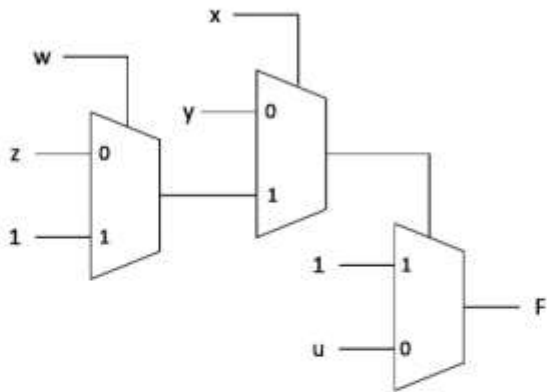
۰/۴ (۴)

۰/۶ (۳)

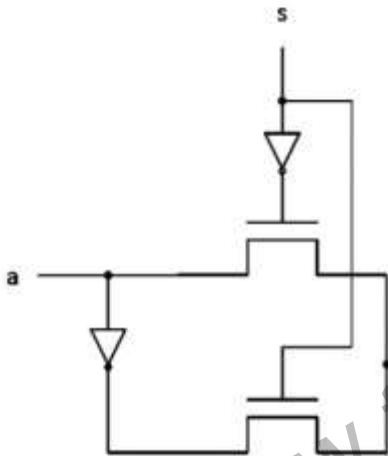
۰/۸ (۲)

۱ (۱)

۷۰- مقدار تابع F در مدار روبه‌رو، کدام است؟



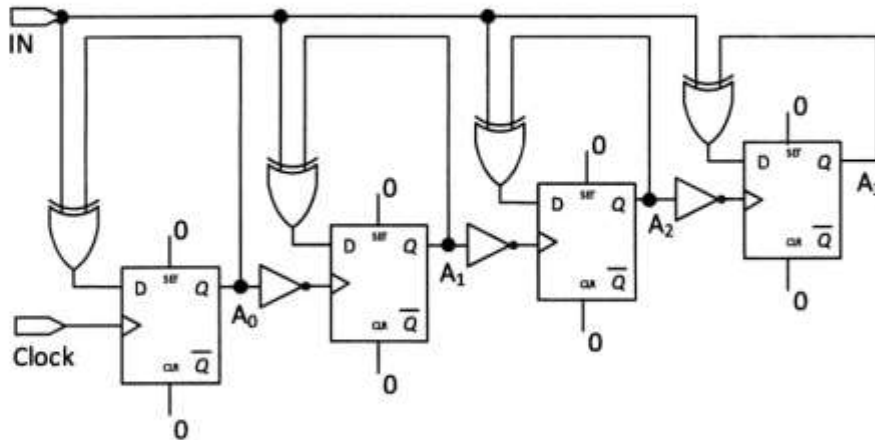
- (۱) $wz + xy + u\bar{x}\bar{w} + u\bar{w}\bar{y} + u\bar{x}\bar{z} + u\bar{y}\bar{z}$
- (۲) $u + \bar{x}y + xw + xz$
- (۳) $wux + uxz + u\bar{x}y$
- (۴) $wz + xy + u$



۷۱- در مدار روبه‌رو، گیت NOT با ترانزیستورهای nmos و pmos ساخته شده است. با فرض اینکه تأخیر ترانزیستورهای pmos و nmos به ترتیب برابر ۷ و ۵ نانوثانیه است، عملکرد این مدار چیست و بدترین تأخیر آن چند نانوثانیه است؟

- (۱) XOR ، ۱۸
- (۲) NAND ، ۱۸
- (۳) NAND ، ۱۲
- (۴) XOR ، ۱۲

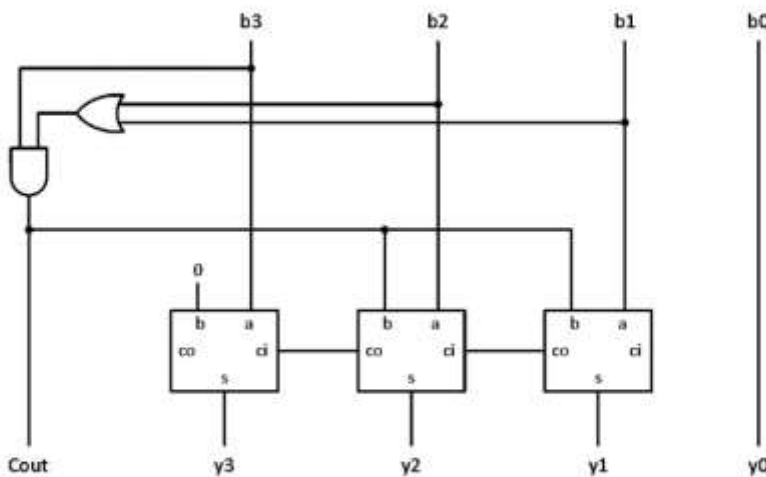
۷۲- رجیستر (ثبات) چهاربیتی A (A₃A₂A₁A₀) در شکل زیر را در نظر بگیرید (A₀ کم‌ارزش‌ترین بیت و A₃ پرارزش‌ترین بیت). با فرض مقدار اولیه صفر برای تمامی فلیپ‌فلاپ‌ها (A₃A₂A₁A₀ = 0000)، تحت چه شرایطی و پس از چند پالس ساعت (Clock) مقدار A برابر با ۱۰ خواهد شد؟



- (۲) ۱۰ پالس ساعت، اگر $IN = 1$ باشد.
- (۴) تحت هیچ شرایطی مقدار A برابر ۱۰ نخواهد شد.

- (۱) ۹ پالس ساعت، اگر $IN = 1$ باشد.
- (۳) ۱۱ پالس ساعت، اگر $IN = 0$ باشد.

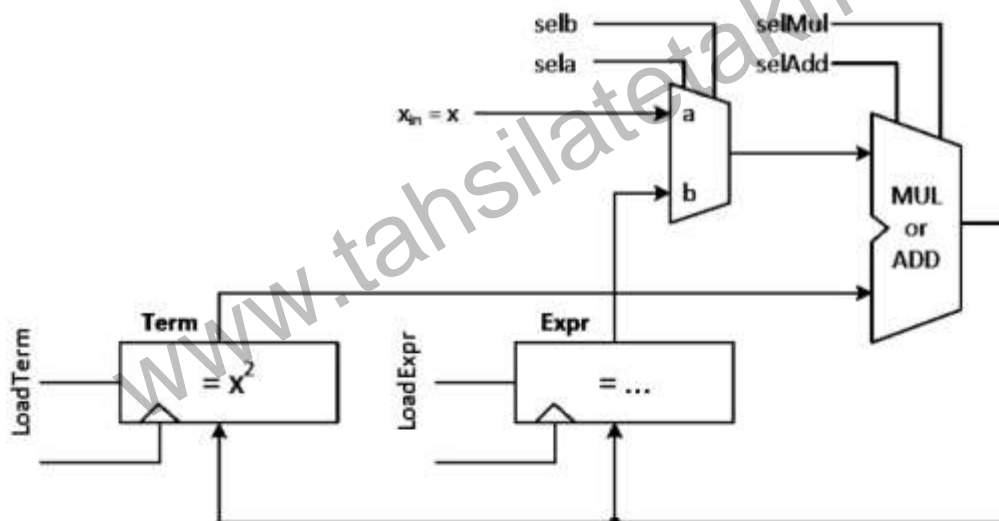
۷۳- مدار زیر، تبدیل کننده یک عدد دودویی ۴ بیتی به معادل BCD آن است. اگر تأخیر گیت‌ها برابر ۱ نانوثانیه، تأخیر تولید بیت‌های حاصل جمع و نقلی در FA به ترتیب برابر ۲ و ۳ نانوثانیه باشد، تأخیر این مدار چند نانوثانیه



است؟

- ۸ (۱)
- ۹ (۲)
- ۱۰ (۳)
- ۱۱ (۴)

۷۴- در زمان t ، مقدار موجود در رجیستر term برابر با X^2 و مقدار روی ورودی X می‌باشد. برای اینکه مقدار X^4 با محتوای رجیستر Expr جمع شود، در سیکل‌های بعدی کلاک کدام سینگال‌های کنترل و به چه ترتیبی باید فعال شوند؟



t+1: selAdd, selb, LoadTerm (۲)
 t+2: selAdd, selb, LoadTerm
 t+3: selMul, sela, LoadExpr

t+1: selMul, sela, LoadTerm (۱)
 t+2: selMul, sela, LoadTerm
 t+3: selAdd, selb, LoadExpr

t+1: selMul, selb, LoadExpr (۴)
 t+2: selAdd, sela, LoadExpr
 t+3: selMul, sela, LoadTerm

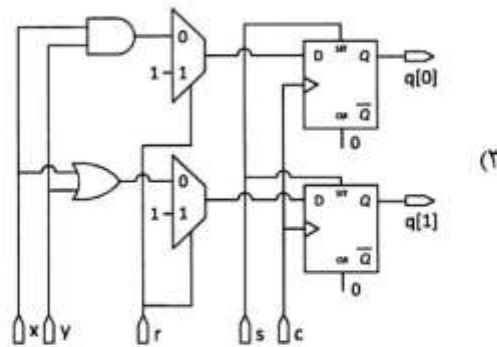
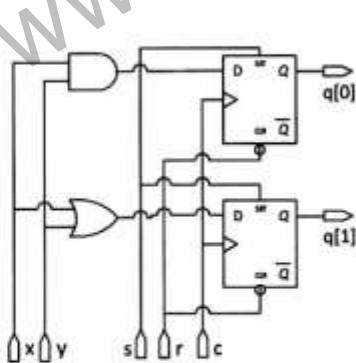
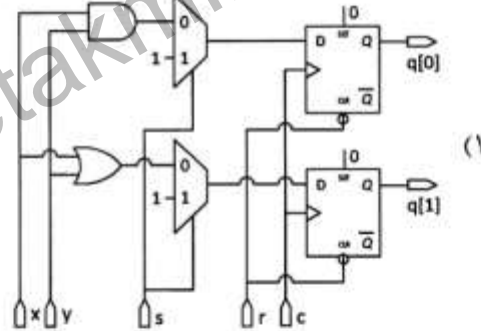
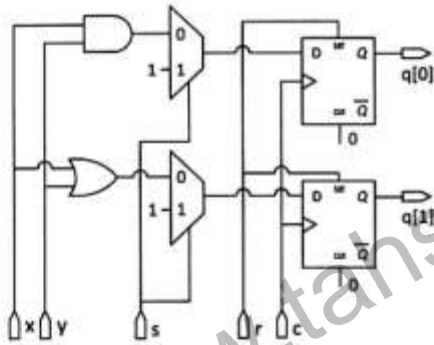
t+1: selMul, sela, LoadTerm (۳)
 t+2: selAdd, selb, LoadExpr
 t+3: selMul, selb, LoadTerm

۷۵- کدام مدار، سطح گیت رفتار کد Verilog زیر را، به درستی نشان می‌دهد؟

```

module exam (c, s, r, x, y, q);
  input c, s, r, x, y;
  output [1:0] q;
  reg [1:0] q;

  always @(posedge c, negedge r)
  begin
    if (!r)
      q = 2'b00;
    else if (s)
      q = 2'b11;
    else
      begin
        q[0] = x & y;
        q[1] = x | y;
      end
  end
end
end module
    
```



www.tahsilatetakmili.com

ماشین‌های الکتریکی (۲ا) و تحلیل سیستم‌های انرژی الکتریکی ۱:

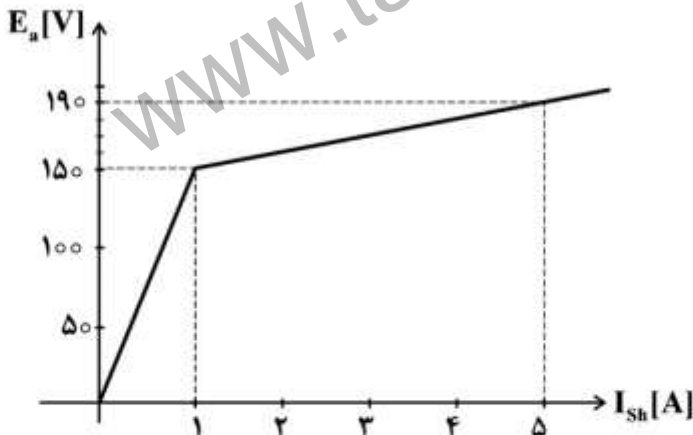
۷۶- یک موتور سری 40 V با $R_a + R_s = 1\Omega$ موجود است. این موتور در راه‌اندازی، گشتاوری برابر 1600 Nm تولید می‌کند. جریان آرمیچر در سرعت $\frac{900}{\pi}\text{ rpm}$ چند آمپر است؟ از اشباع چشم‌پوشی کنید.

- (۱) $\frac{40}{29}$
- (۲) $\frac{40}{31}$
- (۳) $\frac{41}{29}$
- (۴) $\frac{41}{31}$

۷۷- یک موتور القایی سه‌فاز دوقطبی، زیر یک بار با لغزش حدود ۵٪ کار می‌کند. با استفاده از کلید تبدیل، سیم‌پیچی موتور به چهارقطب تبدیل می‌شود. حالت کاری موتور تا رسیدن آن به حالت کار دائم، کدام است؟ گشتاور بار ثابت می‌ماند.

- (۱) ترمزی
- (۲) ژنراتوری
- (۳) موتوری
- (۴) به مقدار گشتاور بار بستگی دارد.

۷۸- مشخصه یک ژنراتور شنت در سرعت n_0 در شکل زیر داده شده است. مقاومت آرمیچر برابر یک اهم و مقاومت میدان شنت ۵۰ اهم است. اگر مقاومت بار چنان تنظیم شود که جریان آرمیچر برابر ۲۰ آمپر گردد، ولتاژ دو سر بار، چند ولت است؟

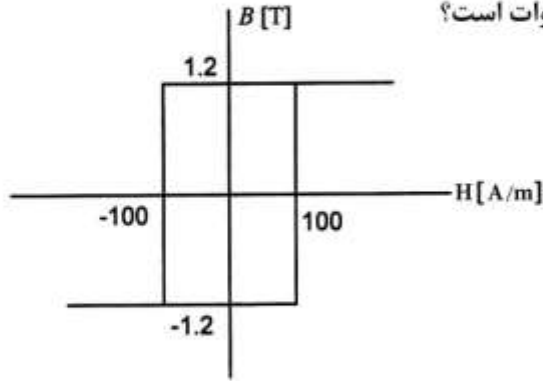


- (۱) ۱۵۰
- (۲) ۱۶۰
- (۳) ۱۷۰
- (۴) ۱۸۰

۷۹- یک موتور القایی چهارقطبی سه‌فاز 50 Hz ، در سرعت نامی 1440 rpm ، گشتاور الکترومغناطیسی 100 Nm را تولید می‌کند. در این صورت تلفات اهمی مدار روتور، چند وات است؟

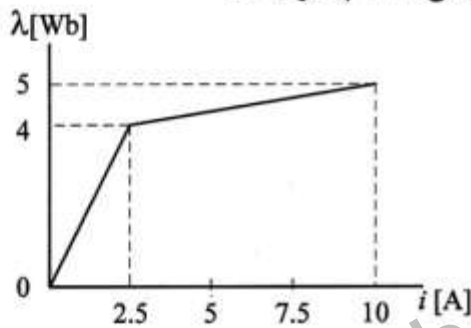
- (۱) $452/4$
- (۲) $573/4$
- (۳) $603/19$
- (۴) $628/3$

۸۰- مشخصه هیستریزیس هسته آهنی یک ترانسفورماتور تک‌فاز به صورت یک مستطیل فرض می‌شود که مقادیر B_r و H_c در آن به ترتیب 100 A/m و $1/2 \text{ T}$ است. یک ولتاژ سینوسی با فرکانس 50 هرتز به سیم‌پیچی اولیه اعمال می‌شود و پیک چگالی فلو در هسته $1/2$ تسلا می‌شود. طول متوسط هسته $0/8$ متر و سطح مقطع آن 25 سانتی‌متر مربع است. تلفات هیستریزیس در این هسته چند وات است؟



- (۱) ۱۲
- (۲) $12\sqrt{2}$
- (۳) ۴۸
- (۴) $48\sqrt{2}$

۸۱- مشخصه $i-\lambda$ سیم‌پیچی یک مدار مغناطیسی در شکل زیر داده شده است. جریان 10 آمپر از سیم‌پیچی عبور داده می‌شود. اندوکتانس سیم‌پیچی، «L» و انرژی ذخیره شده در میدان «W» چقدر است؟



- (۱) $W = 11.25 \text{ J}$, $L = 0.5 \text{ H}$
- (۲) $W = 25 \text{ J}$, $L = 0.5 \text{ H}$
- (۳) $W = 28.75 \text{ J}$, $L = 2 \text{ H}$
- (۴) $W = 100 \text{ J}$, $L = 2 \text{ H}$

۸۲- یک موتور شنت با مدار مغناطیسی خطی و بدون تلف مفروض است. موتور با ولتاژ V_L و ولت تغذیه می‌شود و زیر بار با سرعت n کار می‌کند. جریان آرمیچر در این حالت I_a است. گشتاور بار سه برابر و مقاومت شنت $1/5$ برابر حالت قبل می‌شود و موتور از یک منبع با ولتاژ $2V_L$ تغذیه می‌شود. مقادیر جدید جریان آرمیچر و سرعت موتور چقدر است؟

- (۱) $1/5 I_a$ و $1/5 n$
- (۲) $2/25 I_a$ و $2/25 n$
- (۳) $1/5 I_a$ و $2/25 n$
- (۴) $2/25 I_a$ و $1/5 n$

۸۳- یک ترانسفورماتور تک‌فاز با مدار مغناطیسی خطی از یک منبع ولتاژ سینوسی به معادله $v = V_m \sin \omega t$ تغذیه می‌شود و جریان بی‌باری آن به صورت $I_o = 8 + j16$ است. تعداد دور سیم‌پیچی این ترانسفورماتور دو برابر و ولتاژی به معادله $v = 3V_m \sin 4\omega t$ به آن اعمال می‌شود. مقدار جدید جریان بی‌باری کدام است؟ مقاومت اهمی سیم‌پیچی و راکتانس نشستی آن قابل چشم‌پوشی است و ابعاد هسته تغییر نمی‌کند.

- (۱) $I_o = 6 + j3$
- (۲) $I_o = 6 + j6$
- (۳) $I_o = 9 + j3$
- (۴) $I_o = 9 + j6$

۸۴- اولیه یک ترانسفورماتور تک فاز به یک منبع ولتاژ ایدئال و ثانویه آن به یک بار RLC موازی متصل است. مقدار R ثابت است ولی مقادیر L و C متغیر هستند. مقاومت اهمی سیم پیچی و راکتانس نشتی آن قابل چشم پوشی است. با تغییر دادن فقط یکی از دو مقدار L یا C در جهت مناسب، جریان بار افزایش داده می شود. نقطه کار ترانسفورماتور روی منحنی B-H چگونه تغییر می کند؟

- (۱) با تغییر L به سمت ناحیه خطی و با تغییر C به سمت ناحیه اشباع حرکت می کند.
- (۲) با تغییر L به سمت ناحیه اشباع و با تغییر C به سمت ناحیه خطی حرکت می کند.
- (۳) مستقل از آنکه کدام پارامتر تغییر می کند، نقطه کار با افزایش جریان به سمت ناحیه خطی حرکت می کند.
- (۴) نقطه کار مستقل از بار است و تغییر نمی کند.

۸۵- بازده یک ماشین القایی سه فاز که در حالت موتوری زیر بار با گشتاور |T| و لغزش s کار می کند، برابر η است. بازده همین ماشین در حالت کاری ژنراتوری با گشتاور |T| و لغزش -s چقدر است؟ از کلیه تلفات ماشین به جز تلفات روتور چشم پوشی می شود.

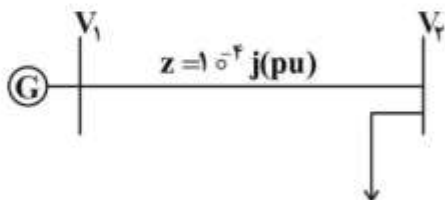
- (۱) $\frac{1}{2-\eta}$
- (۲) $\frac{1}{1-\eta}$
- (۳) $\frac{\eta}{2-\eta}$
- (۴) $\frac{\eta}{1-\eta}$

۸۶- در خط تک فاز زیر هادی های A و B سمت رفت و هادی C سمت برگشت و شعاع همه هادی ها برابر r است. اگر اندوکتانس واحد طول خط برابر $L = 10^{-7} (\ln 4 + 3 \ln \frac{4}{r})$ باشد، آنگاه فاصله D برابر کدام است؟



- (۱) $\frac{1}{2e^4}$
- (۲) $\frac{1}{4e^4}$
- (۳) ۲
- (۴) ۴

۸۷- شبکه انتقال ۵۰ هرتز زیر را در نظر بگیرید. مقادیر پایه یکایی برابر $V_b = 400 \text{ kV}$ و $S_b = 400 \text{ MVA}$ است. با افزودن یک خازن سری با ظرفیت C به خط انتقال، حد توان قابل انتقال خط $\frac{1}{\sqrt{3}}$ برابر می شود. ظرفیت خازن C چند فاراد است؟



- (۱) $\frac{800}{\pi}$
- (۲) $\frac{20}{\pi}$
- (۳) $\frac{2}{\pi}$
- (۴) $\frac{1}{2\pi}$

۸۸- خط سه فاز زیر، با جابه جایی کامل فازها را در نظر بگیرید. شعاع هر هادی برابر r و طول خط a کیلومتر است. در صورتی که این خط به صورت یک خط متوسط با مدل T نمایش داده شود، ثابت C در ماتریس انتقال

$$T = \begin{bmatrix} A & B \\ C & D \end{bmatrix}, \text{ کدام است؟ (فرکانس } 50 \text{ Hz و } r = \frac{D}{8} \text{، همچنین از تلفات خط صرف نظر کنید.)}$$



$$(1) \quad j2a\pi \times 10^{-5} \ln\left(2\sqrt[3]{e^4}\right)$$

$$(2) \quad j0.702a\pi \times \ln\left(2\sqrt[3]{e^4}\right)$$

$$(3) \quad j\frac{60\pi^2\epsilon_0 a}{\ln 2}$$

$$(4) \quad j\frac{60\pi^2\epsilon_0 a}{\ln 2} \times 10^3$$

۸۹- در شبکه زیر، امپدانس سری خط انتقال برابر $1 pu$ و $1 pu$ و ادmittانس موازی آن $2 pu$ است. همچنین ژنراتور القایی متصل به شین ۲ توان ظاهری $3 + j$ را تولید می کند و ولتاژ شین ۱ برابر مقدار نامی است. ولتاژ شین ۲ پس از یک مرحله تکرار بخش بار با روش گوس - سایدل و با حدس اولیه $0 < 1$ ، برابر کدام است؟



$$(1) \quad \frac{10 + 2j}{9.9}$$

$$(2) \quad \frac{10 - 2j}{9.8}$$

$$(3) \quad \frac{10 - 2j}{9.9}$$

$$(4) \quad \frac{10 + 2j}{9.8}$$

۹۰- دو بار الکتریکی، یکی با توان مصرفی $100 kW$ و ضریب توان 0.6 پس فاز و دیگری با توان ظاهری $100 kVA$ و همان ضریب توان از یک تابلو تغذیه می شوند. چند $kVar$ خازن جبران موازی لازم است تا ضریب توان مجموعه به 0.8 پس فاز برسد؟

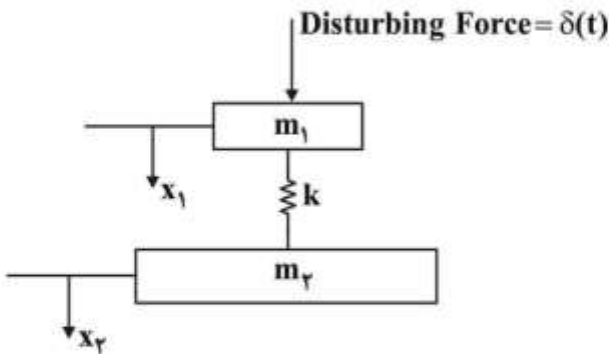
$$(1) \quad 40$$

$$(2) \quad 70$$

$$(3) \quad 85$$

$$(4) \quad 100$$

سیستم‌های کنترل خطی:



۹۱- فرکانس نوسان ساختار شکل زیر، کدام است؟

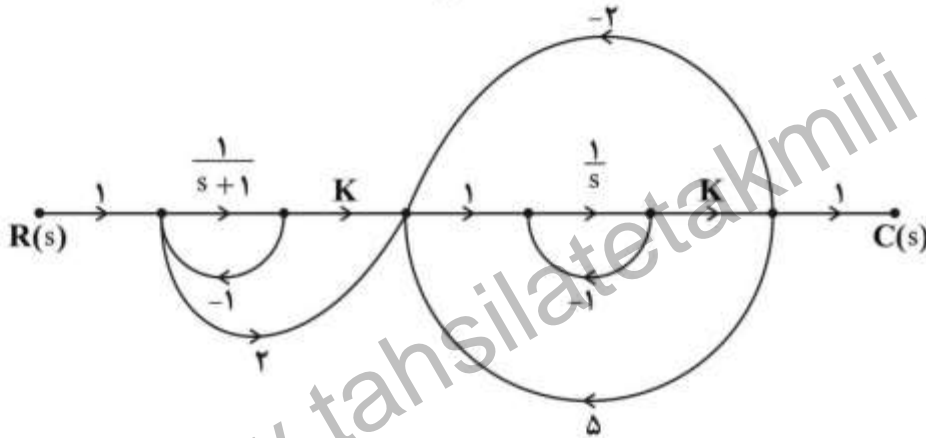
$$\omega_o^2 = \frac{k(m_1 m_2)}{m_1 + m_2} \quad (1)$$

$$\omega_o^2 = \frac{m_1 m_2}{k(m_1 + m_2)} \quad (2)$$

$$\omega_o^2 = \frac{k(m_1 + m_2)}{m_1 m_2} \quad (3)$$

$$\omega_o^2 = \frac{m_1 + m_2}{k(m_1 m_2)} \quad (4)$$

۹۲- در سیستمی با نمودار گذر سیگنال زیر، با توجه به تابع انتقال $\frac{C(s)}{R(s)}$ ، کدام گزینه صحیح است؟ (ورودی $r(t)$ کراندار فرض شود)



(۱) صرف نظر از آنکه خروجی سیستم کجا باشد، سیستم همواره ناپایدار است.

(۲) به ازای $k < \frac{1}{3}$ ، خروجی $c(t)$ کراندار است.

(۳) به ازای $k = -1$ ، خروجی نوسانات دائم دارد.

(۴) به ازای $k < \frac{1}{3}$ ، سیستم ناپایدار است.

۹۳- در مورد تابع تبدیل زیر، گزینه نادرست کدام است؟

$$G(s) = k \frac{(s-2)(s-4)}{(s)(s+5)}, \quad k > 0$$

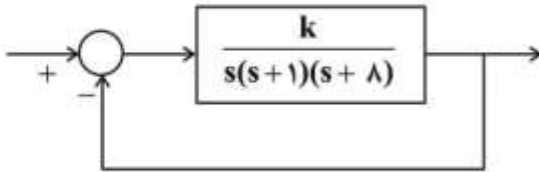
(۱) منحنی فاز سیستم فوق نمی‌تواند از روی منحنی اندازه آن به دست آید.

(۲) مکان هندسی ریشه‌های سیستم فوق، ناپیوسته است.

(۳) مکان هندسی ریشه‌های سیستم فوق، نقطه ترک مختلط ندارد.

(۴) منحنی نایکوئیست همواره دوبار نقطه $(1, 0)$ را دور خواهد زد.

۹۴- در سیستم حلقه بسته زیر، برای تابع تبدیل حلقه باز از تقریب مرتبه ۲ (با صرف نظر از قطب دورتر) استفاده کرده ایم؛ و در سیستم تقلیل مرتبه یافته، مقدار بهره k را به گونه ای محاسبه کرده ایم که ضریب میرایی سیستم حلقه بسته تقلیل مرتبه یافته $\zeta = \frac{1}{\sqrt{2}}$ باشد. خطای حالت دائم به ورودی شیب واحد برای سیستم حلقه بسته مرتبه ۳ به ازای این مقدار بهره k ، چقدر است؟



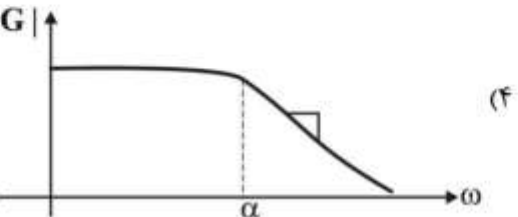
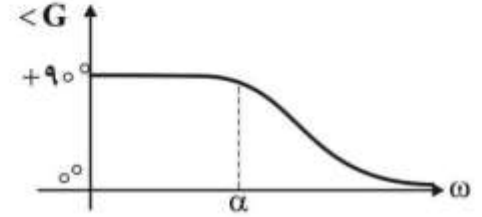
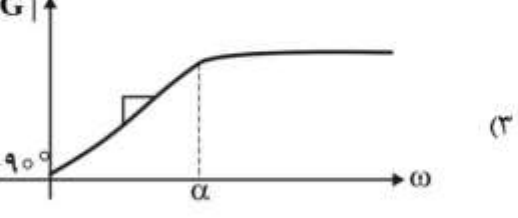
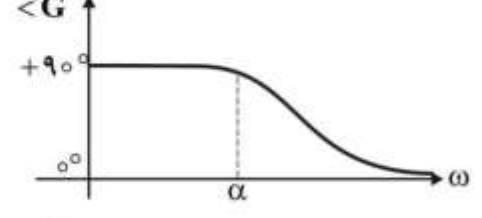
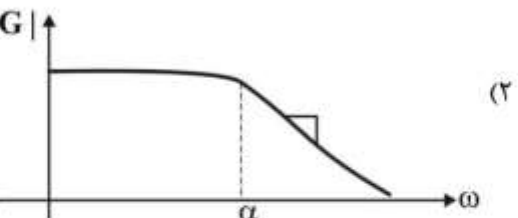
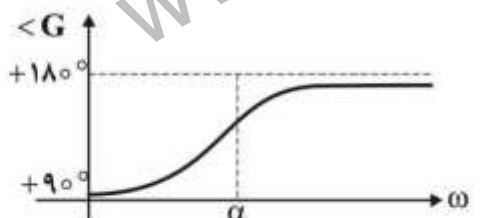
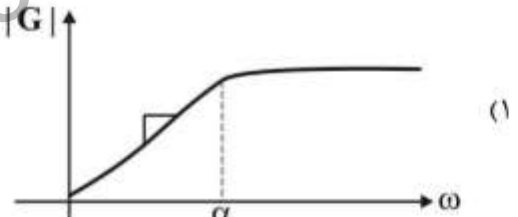
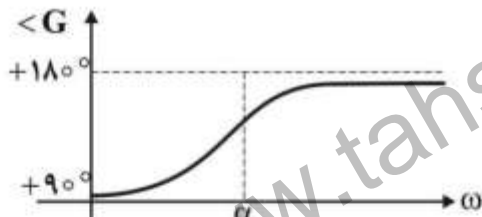
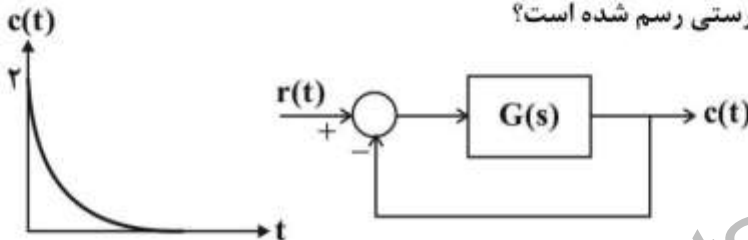
(۱) $-\frac{4}{49}$

(۲) $\frac{4}{49}$

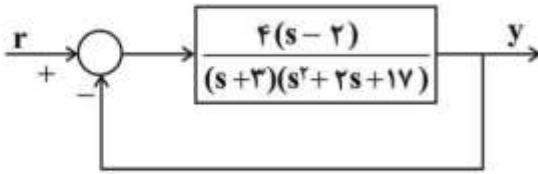
(۳) $\frac{32}{49}$

(۴) بی نهایت

۹۵- اگر پاسخ پله یک سیستم حلقه بسته فیدبک واحد به شکل زیر باشد $(c(t) = 2e^{-\alpha t} u(t))$: دیاگرام بودی سیستم حلقه باز $G(s)$ ، در کدام گزینه به درستی رسم شده است؟



۹۶- در شکل زیر، اگر یکی از قطب‌های سیستم حلقه بسته در $s = -۲$ باشد، تقریباً به ازای کدام ورودی، خروجی سیستم دامنه بزرگتری خواهد داشت؟



(۱) $r(t) = \sin(t - 30^\circ)$

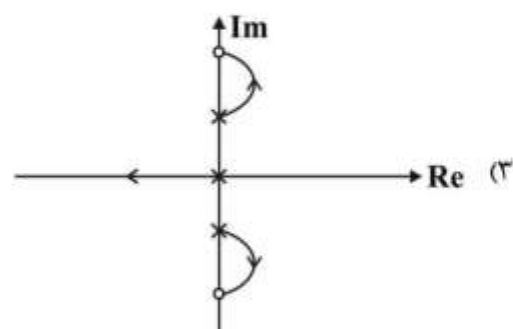
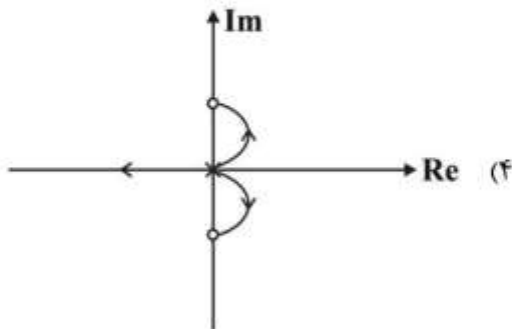
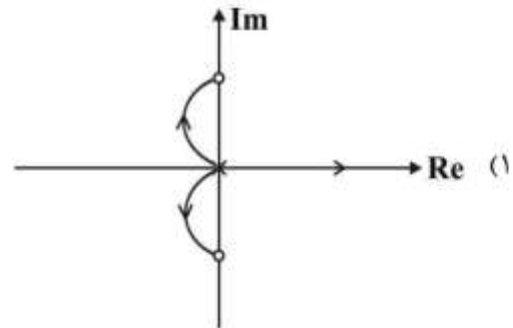
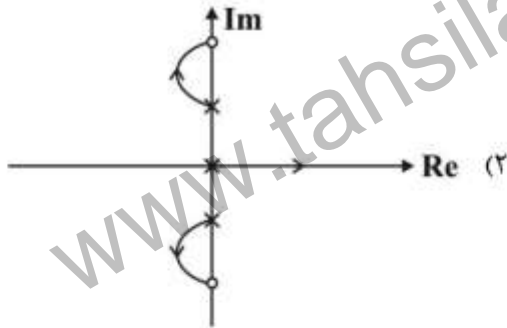
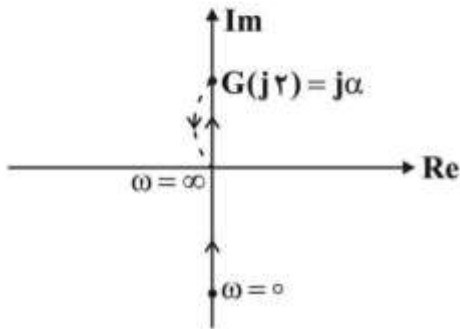
(۲) $r(t) = \sin(0.5t)$

(۳) $r(t) = \sin(4t)$

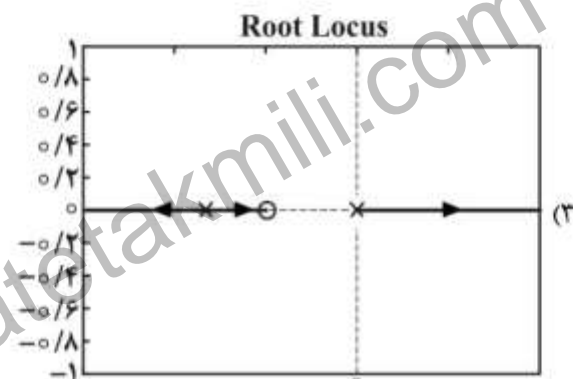
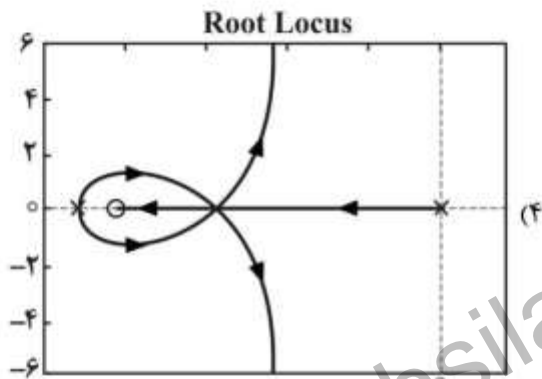
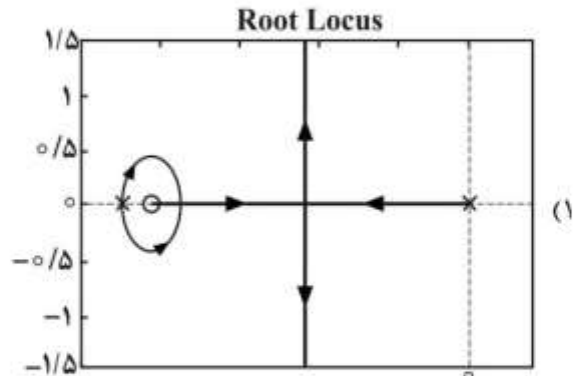
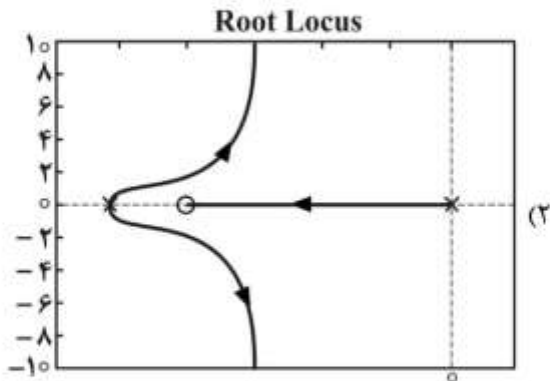
(۴) $r(t) = \sin(8t)$

۹۷- دیاگرام قطبی یک سیستم که دارای مرتبه کوچک‌تر از شش بوده و دارای قطب یا صفری در نیم صفحه راست نیست، در شکل زیر نشان داده شده است. منحنی قطبی کاملاً موهومی و قسمت نقطه چین نیز موهومی است، که برای وضوح، جدا از محور نشان داده شده است. مکان هندسی ریشه‌های سیستم فوق برای فیدبک مثبت کدام است؟

$|G(0)| = \infty, |\alpha| < \infty$



۹۸- مکان هندسی ریشه‌های سیستم $k > 0$ ، $G(s) = k \frac{s+4}{s(s+4/5)^2}$ ، کدام است؟



۹۹- در سیستم زیر، $a > 0$ ، $G(s) = \frac{100(s+1)}{s(s-2)(s+a)}$ است. کمترین مقدار a که به ازای آن منحنی نایکوئیست

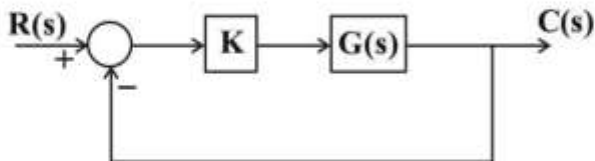
سیستم، محور حقیقی منفی را قطع می‌کند، کدام است؟

(۱) $a = 4$

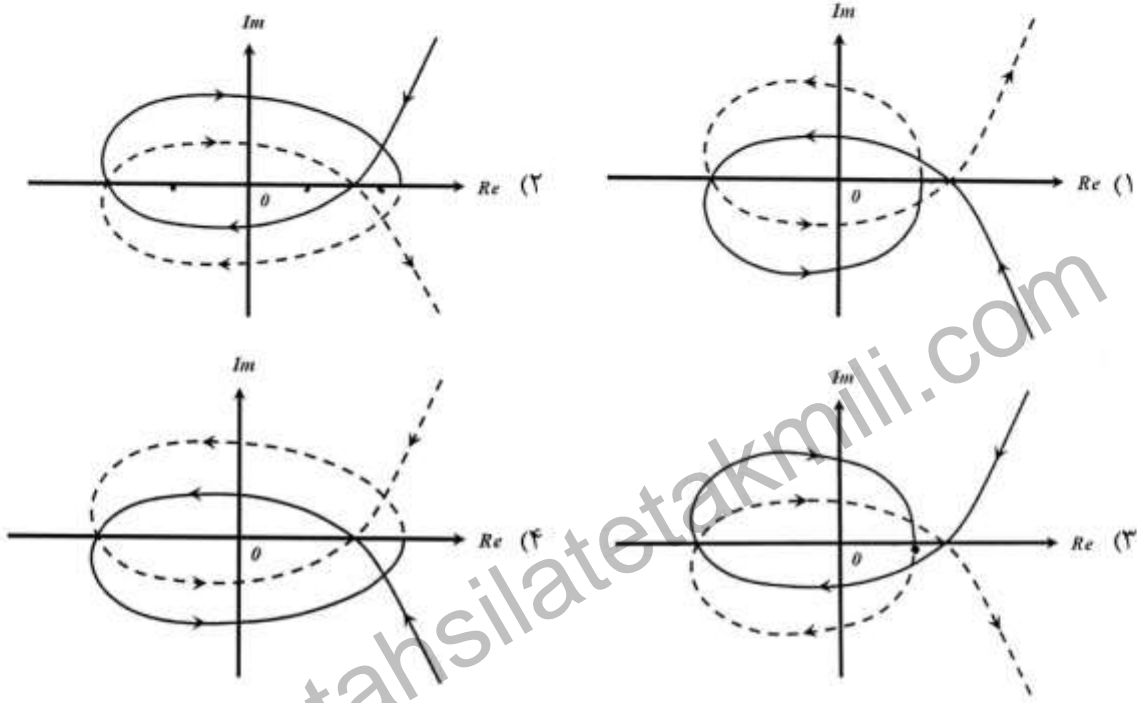
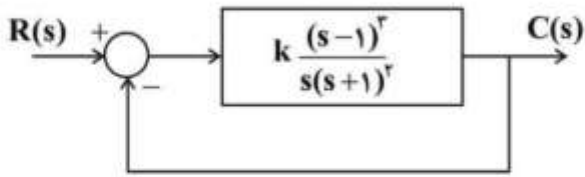
(۲) $a = 3$

(۳) $a = 2$

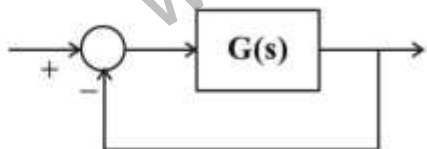
(۴) نقطه قطع ندارد.



۱۰۰- نمودار نایکوئیست سیستم زیر به ازای $k > 0$ ، کدام است؟



۱۰۱- در سیستم فیدبک واحد زیر با دیاگرام قطبی داده شده، چه کنترل کننده‌ای برای خطای ماندگار صفر به ورودی پله واحد مناسب است؟ ($G(s)$ پایدار است)

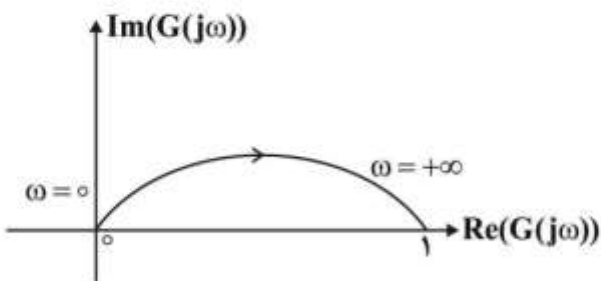


PII (۱)

P (۲)

PI (۳)

(۴) امکان طراحی چنین کنترل کننده‌ای وجود ندارد.



۱۰۲- سیستمی با تابع تبدیل حلقه باز به صورت $G(s) = \frac{1}{(s-1)(s+1)(s+2)}$ را در نظر بگیرید. با کدام یک از

کنترل کننده‌های زیر، سیستم حلقه بسته می‌تواند پایدار شود؟

$$k(s) = k \frac{s-1}{s+3} \quad (۱)$$

$$k(s) = k \frac{s+1}{s+3} \quad (۲)$$

$$k(s) = k \frac{s+2}{s+4} \quad (۳)$$

$$k(s) = k \frac{s+3}{s+1} \quad (۴)$$

سیگنال‌ها و سیستم‌ها:

۱۰۳- اگر توصیف ورودی - خروجی یک سیستم به صورت $y(t) = x(-t) + 2$ باشد، رابطه ورودی - خروجی وارون (Inverse) آن، کدام است؟

$$y(t) = x(t) - 2 \quad (۱)$$

$$y(t) = x(-t) - 2 \quad (۲)$$

$$y(t) = x(-t) + 2 \quad (۳)$$

$$y(t) = x(t) + 2 \quad (۴)$$

۱۰۴- پاسخ ضربه یک سیستم LTI زمان پیوسته برابر $h(t) = \sqrt{2} \cos(\sqrt{3}t)$ است. پاسخ این سیستم به ورودی

$$x(t) = e^{-t}u(t) \text{ در لحظه } t = \frac{\tan^{-1}\sqrt{3}}{\sqrt{3}}, \text{ برابر کدام است؟}$$

$$۱ \quad (۱)$$

$$\frac{\sqrt{2}}{2} \quad (۲)$$

$$\sqrt{2} \quad (۳)$$

$$۲ \quad (۴)$$

۱۰۵- رابطه ورودی - خروجی برای ۴ سیستم به صورت زیر داده شده است:

$$y(t) = \begin{cases} 0 & ; t < 0 \\ x(t) + x(t-2) & ; t \geq 0 \end{cases} \quad \text{سیستم ۲:} \quad y(t) = \begin{cases} 0 & ; x(t) < 0 \\ x(t) + x(t-2) & ; x(t) \geq 0 \end{cases} \quad \text{سیستم ۱:}$$

$$\text{سیستم ۴: } y(t) = x(t-2) + x(2-t) \quad \text{سیستم ۳: } y(t) = \int_{-\infty}^{2t} x(\tau) d\tau$$

کدام سیستم در خاصیت تغییر پذیری با زمان، با بقیه متفاوت است؟

$$۲ \quad (۲)$$

$$۱ \quad (۱)$$

$$۴ \quad (۴)$$

$$۳ \quad (۳)$$

۱۰۶- سیگنال غیرعلی $x(t)$ با تبدیل لاپلاس $X(s) = \frac{s+2}{s-2}$ ورودی یک سیستم LTI و پاسخ به این ورودی برابر

$$-\frac{2}{3}e^{2t}u(-t) + \frac{1}{3}e^{-t}u(t)$$

($u(t)$ نشانگر تابع پله می باشد).

(۱) غیرعلی و ناپایدار است.

(۲) علی و ناپایدار است.

(۳) غیرعلی و پایدار است.

(۴) علی و پایدار است.

۱۰۷- حاصل کانولوشن $\frac{\sin^2(\pi t)}{(\pi t)^2} \times \cos^2(\frac{\pi t}{2})$ برابر کدام است؟

$$\text{پادآوری: } \left(\pi \left(\frac{t}{2T} \right) \right) \xleftrightarrow{F} 2T \sin c \left(\frac{\omega T}{\pi} \right)$$

$$\circ / 2\delta + \circ / \delta \cos^2 \left(\frac{\pi t}{2} \right) \quad (1)$$

$$- \circ / 2\delta + \circ / \delta \cos^2 \left(\frac{\pi t}{2} \right) \quad (2)$$

$$\cos^2 \left(\frac{\pi t}{2} \right) \quad (3)$$

$$\circ / \delta \cos^2 \left(\frac{\pi t}{2} \right) \quad (4)$$

۱۰۸- سیگنال $x(t)$ با تبدیل فوری $X(j\omega)$ را در نظر بگیرید. اطلاعات زیر در مورد این سیگنال در دسترس است.

- $x(t)$ حقیقی است.

$$x(t) = 0 \quad t \leq 0$$

$$\int_{-\infty}^{\infty} \text{Re}\{X(j\omega)\} e^{j\omega t} d\omega = 2\pi |t| e^{-|t|}$$

$x(t)$ برابر کدام است؟

$$x(t) = 2\pi t e^{-t} u(t) \quad (1)$$

$$x(t) = 2\pi t e^t u(t) \quad (2)$$

$$x(t) = 2t e^t u(t) \quad (3)$$

$$x(t) = 2t e^{-t} u(t) \quad (4)$$

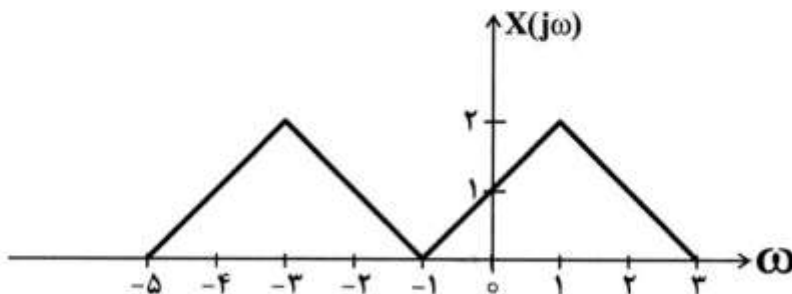
۱۰۹- تبدیل فوری سیگنال $x(t)$ مطابق شکل زیر است. گزینه درست در مورد آن کدام است؟

$$\angle X(t) = t \quad (1)$$

(۲) $x(t)$ حقیقی است.

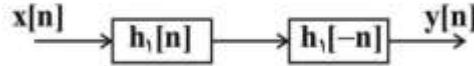
$$\angle X(t) = -t \quad (3)$$

(۴) $x(t)$ موهومی و زوج است.



۱۱۰- در شکل زیر، $h_1[n]$ حقیقی و $H_1(e^{j\omega}) = b_0 + b_1 e^{-j\omega}$ است که در آن $b_0 > 0$ و $H_1(e^{j\pi}) = 1$ می‌باشد. اگر $h[n]$ ، پاسخ ضربه سیستم با ورودی $x[n]$ و خروجی $y[n]$ به صورت زیر باشد:

$$h[n] = \begin{cases} 5 & n = 0 \\ 2 & n = \pm 1 \\ 0 & \text{سایر} \end{cases}$$



کدام گزینه درست است؟

- (۱) $b_1 = 1, b_0 = 2$
- (۲) $b_1 = 2, b_0 = 1$
- (۳) $b_1 = -2, b_0 = 2$
- (۴) $b_1 = -1, b_0 = 1$

۱۱۱- در یک سیستم LTI زمان گسسته با پاسخ ضربه $h[n] = (\frac{1}{4})^{|n|}$ ، پاسخ به ورودی $u[n] + u[2-n]$ در لحظه $n = -2$ برابر کدام است؟ ($u[n]$ تابع پله واحد می‌باشد).

- (۱) $\frac{31}{8}$
- (۲) $\frac{55}{16}$
- (۳) $\frac{19}{4}$
- (۴) ۴

۱۱۲- یک سیستم گسسته در زمان با رابطه ورودی - خروجی به صورت $y[n] = \cos[\frac{\pi}{4} x[n]]$ را در نظر بگیرید. کدام گزینه

در مورد متناوب بودن خروجی به ازای $x[n] = \frac{n^2}{4}$ صحیح است؟ (Ω_0 فرکانس اصلی در سیگنال‌های متناوب است).

- (۱) $\Omega_0 = \frac{\pi}{3}$
- (۲) $\Omega_0 = \frac{\pi}{8}$
- (۳) $\Omega_0 = \frac{\pi}{4}$
- (۴) متناوب نیست.

۱۱۳- معادله تفاضلی یک سیستم LTI زمان گسسته به صورت زیر داده شده است:

$$y[n] - \frac{1}{2}y[n-2] + \frac{1}{16}y[n-4] = x[n] + x[n-1]$$

خروجی سیستم به ورودی $x[n] = 3 \cos \pi n$ ، کدام است؟

- (۱) $\frac{3}{8} \sin \pi n$
- (۲) $\frac{3}{8} \cos \pi n$
- (۳) $3 \sin \pi n$
- (۴) صفر

۱۱۴- اگر رابطه $X(e^{j\omega}) = \frac{1}{2\pi} \int_{-\pi}^{\pi} X(e^{j\theta}) \frac{1}{1 - \frac{1}{2} e^{j(\frac{\omega}{2} - \theta)}} d\theta$ برقرار باشد، کدام گزینه، درست است؟

- (۱) $x[n] = 0$ for $|n| > 1$
- (۲) $x[n] = 0$ for $n = \text{even}$
- (۳) $x[n] = 0$ for $|n| > 0$
- (۴) $x[n] = 0$ for $n = \text{odd}$

الکترومغناطیس:

۱۱۵- برای انتقال بارهای سطحی با چگالی سطحی ثابت ρ_s (کولمب بر مترمربع) از روی کره‌ای به شعاع $\sqrt{2}a$ به روی

سطح کره‌ای به شعاع $\frac{a}{\sqrt{2}}$ ، چه میزان کار لازم است؟

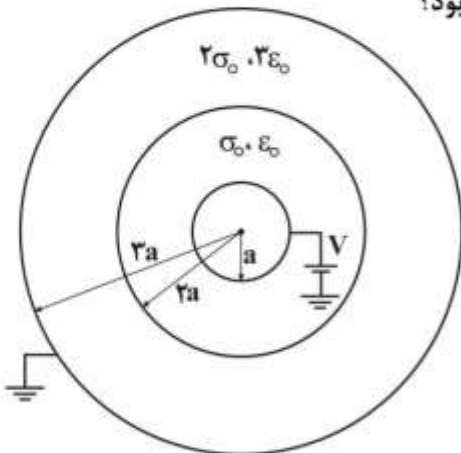
(۱) $\frac{4\pi\rho_s a^2}{\epsilon_0} (14 - \sqrt{2})$

(۲) $\frac{2\pi\rho_s a^2}{\epsilon_0} (2\sqrt{2} - \frac{2}{\sqrt{2}})$

(۳) $\frac{4\pi\rho_s a^2}{\epsilon_0} (\frac{2}{\sqrt{2}} - \sqrt{2})$

(۴) $\frac{2\pi\rho_s a^2}{\epsilon_0} (\sqrt{2} - \frac{2\sqrt{2}}{\sqrt{2}})$

۱۱۶- فضای بین یک کره رسانای کامل به شعاع a و پوسته رسانای کامل به شعاع داخلی a از دو ناحیه رسانای ناقص با رسانایی ویژه σ و 2σ و ضرایب گذردهی ϵ_0 و $3\epsilon_0$ پر شده است. مرز دو ناحیه، یک کره به شعاع $2a$ است. اگر کره رسانای داخلی به پتانسیل V_0 و پوسته رسانای بیرونی به پتانسیل صفر وصل باشند، چگالی بار آزاد سطحی روی مرز دو ناحیه ($r = 2a$)، چند کولمب بر مترمربع خواهد بود؟



(۱) $-\left(\frac{6}{\sqrt{2}}\right) \frac{\epsilon_0 V_0}{a}$

(۲) $+\left(\frac{3}{\sqrt{2}}\right) \frac{\epsilon_0 V_0}{a}$

(۳) $+\left(\frac{6}{\sqrt{2}}\right) \frac{\epsilon_0 V_0}{a}$

(۴) $+\left(\frac{3}{14}\right) \frac{\epsilon_0 V_0}{a}$

۱۱۷- اگر در لحظه $t = 0$ ، کره‌ای به شعاع a و رسانایی ویژه σ و گذردهی ϵ_0 به‌طور یکنواخت و با چگالی حجمی ρ_0

باردار شود، بار سطحی روی کره در لحظه $t = \Delta s$ ، کدام است؟ $(\tau = \frac{\epsilon_0}{\sigma})$

$$\frac{\rho_0 a}{3\epsilon_0} (1 - e^{-\frac{\Delta}{\tau}}) \quad (1)$$

$$\frac{\rho_0 a}{3} (1 - e^{-\frac{\Delta}{\tau}}) \quad (2)$$

$$\frac{\rho_0 a}{3\epsilon_0} (1 + e^{-\frac{\Delta}{\tau}}) \quad (3)$$

$$\frac{\rho_0 a}{3} (1 + e^{-\frac{\Delta}{\tau}}) \quad (4)$$

۱۱۸- در فضای آزاد، دو قطبی‌های الکتریکی با چگالی $\vec{P} = k \frac{\hat{r}}{r^2}$ درون یک پوسته کروی به مرکز مبدأ مختصات و به

شعاع داخلی a و شعاع خارجی b توزیع شده است $(a < r < b)$. بار نقطه‌ای q از بی‌نهایت به مرکز این پوسته کروی منتقل می‌شود. کار انجام شده برای این انتقال برابر کدام است؟

$$\frac{kq}{\epsilon_0} \left(\frac{1}{b} - \frac{1}{a} \right) \quad (1)$$

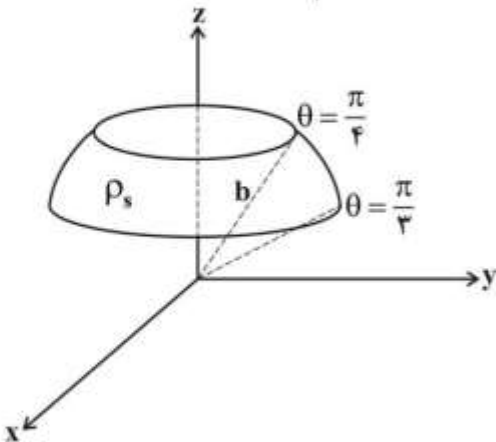
$$\frac{kq}{\epsilon_0} \left(\frac{1}{a} - \frac{1}{b} \right) \quad (2)$$

$$\frac{kq}{\epsilon_0 a} \quad (3)$$

$$\frac{-kq}{\epsilon_0 a} \quad (4)$$

۱۱۹- روی بخشی از پوسته کروی با $r = b$ ، $\frac{\pi}{4} \leq \theta \leq \frac{\pi}{3}$ و $0 \leq \phi < 2\pi$ ، مانند شکل زیر بار الکتریکی با چگالی بار

سطحی یکنواخت ρ_s توزیع شده است. میدان الکتریکی \vec{E} در مبدأ مختصات، کدام است؟



$$\vec{E} = \hat{z} \frac{\rho_s b}{2\epsilon_0} \quad (1)$$

$$\vec{E} = \hat{z} \frac{\rho_s b^2}{4\epsilon_0} \quad (2)$$

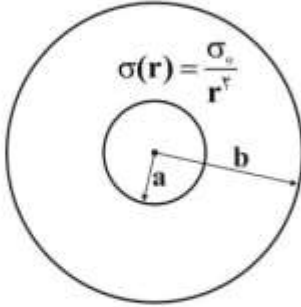
$$\vec{E} = \hat{z} \left(-\frac{\rho_s}{16\epsilon_0} \right) \quad (3)$$

$$\vec{E} = \hat{z} \left(-\frac{\rho_s b^2}{4\pi\epsilon_0} \right) \quad (4)$$

۱۲۰- مطابق شکل زیر، فضای میان کره رسانای کامل به شعاع a و پوسته رسانای کامل به شعاع b را ماده‌ای با رسانایی

ویژه $\sigma(r) = \frac{\sigma_0}{r^2}$ پر کرده است. وابستگی $\epsilon(r)$ چگونه باشد تا بار الکتریکی آزاد در فاصله میان دو رسانا ایجاد

نشود؟



$\epsilon(r) \propto \frac{1}{r}$ (۱)

$\epsilon(r) \propto r^2$ (۲)

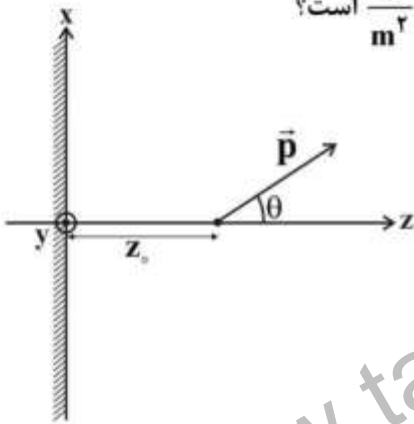
$\epsilon(r) \propto r$ (۳)

$\epsilon(r) \propto \frac{1}{r^2}$ (۴)

۱۲۱- دو قطبی الکتریکی \vec{p} در فاصله z_0 از مبدأ مختصات روی محور z ها و در صفحه xOz طوری قرار گرفته است که

با محور z ها زاویه θ می‌سازد. با فرض آنکه صفحه xy رسانا و با پتانسیل صفر باشد، چگالی بار سطحی القایی که

توسط دو قطبی \vec{p} روی صفحه رسانا ایجاد می‌شود، در مبدأ مختصات چند $\frac{C}{m^2}$ است؟



$\rho_s = \frac{2\pi p \cos \theta}{z_0^2}$ (۱)

$\rho_s = \frac{\pi p \cos \theta}{z_0^2}$ (۲)

$\rho_s = \frac{2\pi p \cos \theta}{\pi z_0^2}$ (۳)

$\rho_s = \frac{p \cos \theta}{\pi z_0^2}$ (۴)

۱۲۲- کابل هم‌محوری با رسانای داخلی توپر به شعاع a و رسانای خارجی به شعاع b مفروض است. ضریب خودالقایی

این کابل بر واحد طول، کدام است؟ بین هادی داخلی و خارجی فضای آزاد وجود دارد.

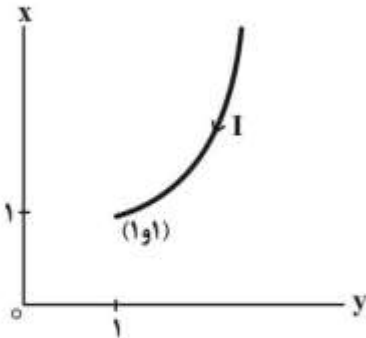
$L = \frac{\mu_0}{\pi} \left[\frac{1}{4} + \ln \frac{b}{a} \right]$ (۱)

$L = \frac{\mu_0}{\pi} \left[\frac{1}{8} + \ln \frac{b}{a} \right]$ (۲)

$L = \frac{\mu_0}{2\pi} \left[\frac{1}{4} + \ln \frac{b}{a} \right]$ (۳)

$L = \frac{\mu_0}{2\pi} \left[\frac{1}{2} + \ln \frac{b}{a} \right]$ (۴)

۱۲۳- بخشی از یک سیم با جریان الکتریکی ثابت I روی منحنی $y = x^2$ مانند شکل زیر از مثبت بی نهایت تا نقطه $(1,1)$ در صفحه xoy کشیده شده است. شدت میدان مغناطیسی \vec{H} در مبدأ مختصات، کدام است؟



$$\frac{I}{4\pi} \left(\ln(\tan \frac{\pi}{8}) + \frac{\sqrt{2}}{2} \right) \hat{z} \quad (1)$$

$$\frac{I}{4\pi} (\ln(\tan \frac{\pi}{4}) + 1) \hat{z} \quad (2)$$

$$\frac{I}{2\pi} \left(\tan \frac{\pi}{8} - \frac{\sqrt{2}}{2} \right) \hat{z} \quad (3)$$

$$\frac{I}{2\pi} (\tan \frac{\pi}{4} - 1) \hat{z} \quad (4)$$

۱۲۴- یک کره به شعاع a با مغناطیدگی (Magnetization) $\vec{M} = M_0 \hat{z}$ در میدان مغناطیسی یکنواخت

$\vec{B} = B_0 \hat{z}$ قرار دارد. نیروی مغناطیسی وارد بر بخش $0 \leq r \leq a$ ، $0 \leq \theta \leq \frac{\pi}{2}$ و $0 \leq \phi \leq \pi$ ، چقدر است؟

$$\frac{M_0 \pi a^2 B_0}{2} \hat{y} \quad (1)$$

$$M_0 \frac{4\pi}{3} a^2 B_0 \hat{y} \quad (2)$$

$$M_0 \pi a^2 B_0 \hat{y} \quad (3)$$

$$M_0 \frac{2\pi a^2}{3} B_0 \hat{y} \quad (4)$$

۱۲۵- در صورتی که در محیطی میدان الکتریکی $\vec{E} = E_0 (\hat{a}_x + 4\hat{a}_y + 3\hat{a}_z)$ و میدان مغناطیسی

$\vec{B} = B_0 (\hat{a}_x - \hat{a}_y + \hat{a}_z)$ برقرار باشد، بار q با چه سرعتی (\vec{v}) به صورت عمود بر \vec{B} حرکت کند تا بر آن نیرویی

وارد نشود؟

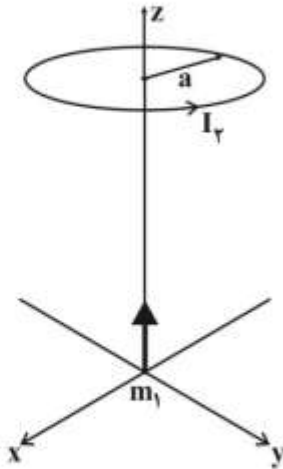
$$\frac{B_0}{E_0} (\nu \hat{a}_x + 2\hat{a}_y - 5\hat{a}_z) \quad (1)$$

$$\frac{E_0}{B_0} (15\hat{a}_x + 2\hat{a}_y - 5\hat{a}_z) \quad (2)$$

$$\frac{E_0}{B_0} (\nu \hat{a}_x + 2\hat{a}_y - 5\hat{a}_z) \quad (3)$$

$$\frac{B_0}{E_0} (15\hat{a}_x + 2\hat{a}_y - 5\hat{a}_z) \quad (4)$$

۱۲۶- دو قطبی مغناطیسی $\vec{m}_1 = m_1 \hat{z}$ در مبدأ مختصات واقع است. حلقه‌ای به شعاع a هم‌محور با محور z ، در $z = d$ قرار دارد و از آن جریان I_r می‌گذرد. نیروی وارد بر حلقه کدام است؟



$$-\frac{1}{2} \mu_0 m_1 I_r \frac{\pi a^2 d}{(d^2 + a^2)^{\frac{3}{2}}} \hat{z} \quad (1)$$

$$-\frac{3}{2} \mu_0 m_1 I_r \frac{\pi a^2 d}{(d^2 + a^2)^{\frac{3}{2}}} \hat{z} \quad (2)$$

$$-\frac{3}{2} \mu_0 m_1 I_r \frac{a^2 d}{(d^2 + a^2)^{\frac{3}{2}}} \hat{z} \quad (3)$$

(۴) صفر

مقدمه‌ای بر مهندسی پزشکی:

۱۲۷- کدام گزینه، صحیح است؟ (V_m : پتانسیل غشا، E_{Na} : پتانسیل نرست سدیم، E_K : پتانسیل نرست پتاسیم)

(۱) اگر $E_K < V_m < E_{Na}$ باشد، جهت جریان‌های سدیمی و پتاسیمی مخالف یکدیگر است.

(۲) اگر $E_K < V_m < E_{Na}$ باشد، جهت جریان‌های سدیمی و پتاسیمی هم‌جهت‌اند.

(۳) اگر $E_{Na} < V_m < E_K$ باشد، جهت جریان‌های سدیمی و پتاسیمی مخالف یکدیگر است.

(۴) اگر $E_{Na} < V_m < E_K$ باشد، جهت جریان‌های سدیمی و پتاسیمی هم‌جهت‌اند.

۱۲۸- الکترودهای نقره و آلومینیوم در یک محلول الکترولیت قرار داده شده است. اگر مقاومت معادل محلول برابر با ۴ کیلو اهم باشد، جریانی که از الکترودها عبور می‌کند، چند میلی‌آمپر خواهد بود؟ (پتانسیل نیمه پیل آلومینیوم -1.706 و نقره $+0.799$ ولت است.)

(۱) 0.252

(۲) 1.252

(۳) 2.45

(۴) 4.15

۱۲۹- دمای بدن فردی با استفاده از یک ترموکوپل اندازه‌گیری می‌شود. دما متناسب با ولتاژ خروجی ترموکوپل است. ترموکوپل در آب یخ $0^\circ C$ ، آب جوش $100^\circ C$ و در دهان فرد قرار داده شده و به ترتیب ولتاژهای $3/1$ ، $7/1$ ، $4/7$ میلی‌ولت خوانده شده است. اگر در دمای $27^\circ C$ پتانسیل استراحت غشای یک سلول عصبی برای این فرد 60 میلی‌ولت باشد، در دمای اندازه‌گیری شده فعلی، با فرض ثابت بودن غلظت‌های یونی، پتانسیل غشا، چند میلی‌ولت است؟

(۱) -88.8

(۲) -64.1

(۳) -62.6

(۴) -57.5

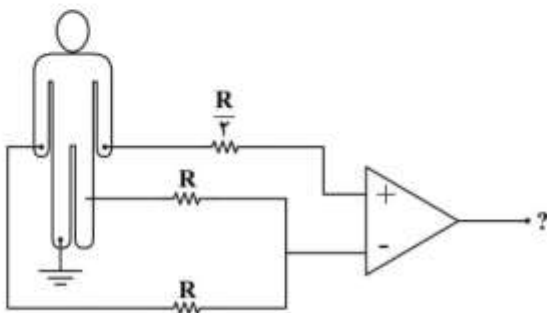
۱۳۰- شکل زیر مربوط به اندازه‌گیری کدام لید قلبی است؟

(۱) لید III

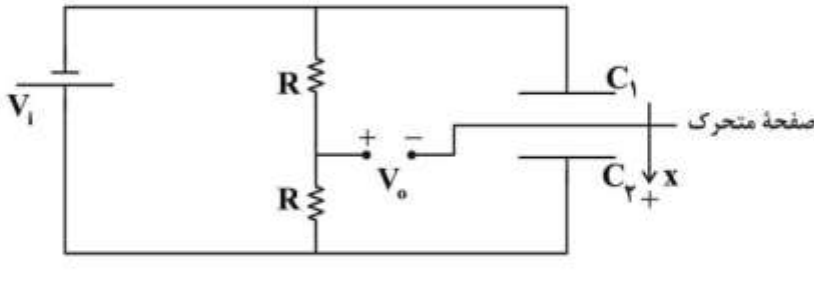
(۲) لید aVR

(۳) لید aVL

(۴) لید aVF



۱۳۱- از یک خازن تفاضلی در مدار زیر برای اندازه‌گیری جابه‌جایی استفاده شده است. صفحات ثابت این خازن به اندازه d از هم فاصله دارند و در حالت تعادل ($x=0$) صفحه متحرک، وسط دو صفحه ثابت قرار گرفته است. اگر با جابه‌جایی صفحه متحرک، فاصله صفحات خازن ۱، نصف فاصله صفحات خازن ۲ شود، نسبت بار خازن ۲ در این حالت به حالت تعادل، چقدر است؟



- (۱) ۲
- (۲) ۳
- (۳) $\frac{1}{3}$
- (۴) $\frac{1}{2}$

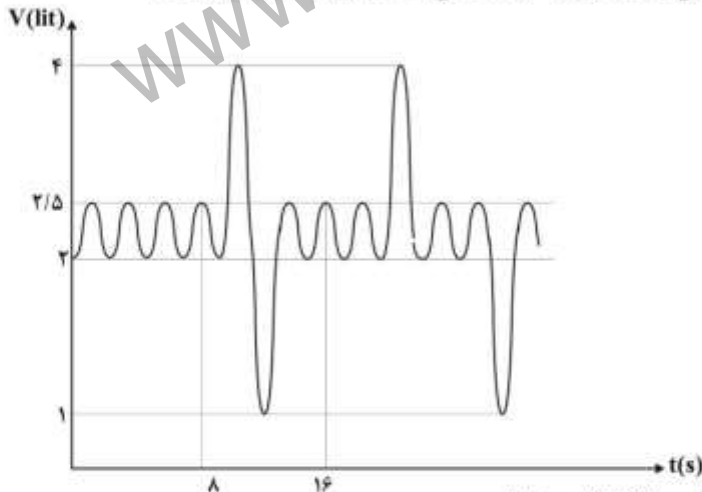
۱۳۲- کدام گزینه می‌تواند تعریف درست‌تری در مورد تکنیک Space-clamp باشد؟

- (۱) در این تکنیک ولتاژ یکسانی برای تمام طول غشای سلول تأمین می‌گردد و فقط جریان شعاعی می‌تواند وجود داشته باشد.
- (۲) در این تکنیک با ثابت نگه‌داشتن پتانسیل الکتریکی غشا، جریان‌های یونی سدیم و پتاسیم اندازه‌گیری می‌شود.
- (۳) در این تکنیک با تغییر ولتاژ، جریان کانال‌های یونی مختلف اندازه‌گیری می‌شود.
- (۴) در این تکنیک جریان‌های هر کدام از کانال‌های یونی، به صورت مجزا محاسبه می‌شود.

۱۳۳- در ثبت ECG، در یک لحظه خاص لید یک روی کاغذ ECG، ۵ میلی‌متر و لید دو ۱۵ میلی‌متر از خط صفر بالاتر رفته است. مقدار جابه‌جایی لید سه چند میلی‌متر است؟

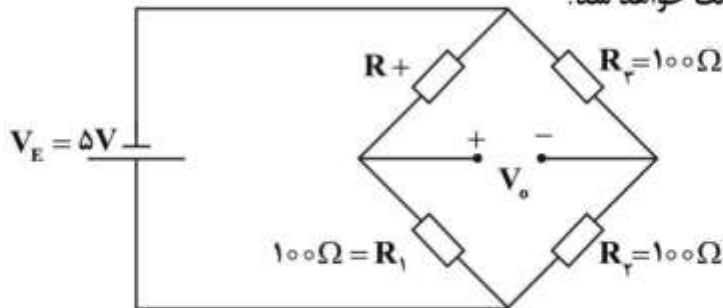
- (۱) ۵
- (۲) ۱۰
- (۳) ۱۵
- (۴) ۲۰

۱۳۴- شکل زیر منحنی تنفسی یک بیمار را نشان می‌دهد. با توجه به منحنی، کدام گزینه صحیح است؟



- (۱) ظرفیت حیاتی (VC) = ۳ لیتر، حجم جاری (TV) = ۱٫۵ لیتر
- (۲) ظرفیت حیاتی (VC) = ۴ لیتر، حجم جاری (TV) = ۰٫۵ لیتر
- (۳) حجم ذخیره بازدمی (ERV) = ۲ لیتر، حجم ذخیره دمی (IRV) = ۲ لیتر
- (۴) حجم ذخیره بازدمی (ERV) = ۱ لیتر، حجم ذخیره دمی (IRV) = ۱٫۵ لیتر

۱۳۵- سنسور فشاری با مقاومت نامی $R_o = 100\Omega$ و حساسیت 3Ω به ازای هر 100mHg موجود است. برای محاسبه فشار آن را بر روی یک بازوی پل وتستون به صورت زیر قرار داده‌ایم. اگر فشار بر روی این سنسور به 60mHg برسد، ولتاژ خروجی پل چند میلی‌ولت خواهد شد؟



- (۱) $-22/3$
- (۲) $-6/8$
- (۳) $-24/3$
- (۴) $-4/2$

۱۳۶- مبدل مقاومتی الاستیکی با طول 0.1 متر، قطر 0.005 متر و مقاومت 1 کیلوهاوم موجود است. اگر این مبدل بعد از پیچیده شدن به دور سینه بیمار طول $1/2$ متر را پیدا کند، در این صورت مقاومت مبدل چند کیلوهاوم خواهد بود؟ فرض کنید سطح مقطع مبدل در طول این فرایند ثابت می‌ماند.

- (۱) 5
- (۲) 10
- (۳) 12
- (۴) 15

۱۳۷- برون‌ده قلبی، با کدام یک از موارد زیر متناسب است؟

- (۱) فشار بطن راست تقسیم بر مقاومت سیستم عروقی
- (۲) مقاومت سیستم عروقی ضرب در فشار دهلیز چپ
- (۳) فشار آئورتی ضرب در مقاومت سیستم عروقی
- (۴) فشار آئورتی تقسیم بر مقاومت سیستم عروقی

۱۳۸- یک دستگاه پلتسیموگرافی که برای اندازه‌گیری حجم ریه مورد استفاده قرار می‌گیرد دارای محفظه‌ای به حجم 0.8m^3 است. هنگامی که شخص به بیشترین دامنه دم و بازدم می‌رسد، فشار محفظه بین 13.5psi و 13.6psi و فشار قفسه سینه بین 8psi و 21psi تغییر می‌کند. کل حجم ریوی شخص چند لیتر است؟

- (۱) 5.82
- (۲) 6.15
- (۳) 7.25
- (۴) 8.31